

# LIST PRICE CATALOG



globally renowned



ZILMET is one of the oldest and largest expansion tank manufacturers in the world. Established in Italy in 1955, ZILMET is an international manufacturer of quality expansion vessels, pressure tanks and plate heat exchangers with several branches across the globe with worldwide distribution.

ZILMET is an ISO 9001 certified company that produces in excess of 7 million tanks and 1 million heat exchangers every year. We take great pride in our globally renowned quality and service and look forward to sharing our story and products with you and your customers.

With our North American Headquarters in North Kingstown, Rhode Island, ZILMET is proudly introducing new products for the hydronic, water system and solar industry into North America.

# Table Of Contents

ZILMET Hydro-Plus (ZHP) Well Tanks.....	2
ZILMET Hydro-Plus (ZHPBC) Bottom Connection Well Tanks.....	3
ZILMET Easy Pro (ZEP) Thermal Expansion Tanks.....	4
ZILMET Stainless Steel Expansion Tanks (ZS).....	5
ZILMET ActivFlo.....	6-7
ZILMET Maximizer.....	8
ZILMET Cal Pro (ZHT)	
Hydronic Expansion Tanks.....	9
Specialty Hydronic Tanks (ZFT & ZHT-R).....	10
ZILMET Ultra Pro (ZUP) Potable Tanks with Replaceable Bladder.....	11
ZILMET Expansion Tank Accessories.....	12
ZILMET Zil-Kit Boiler Trim Kit Package and Boiler Accessories.....	13-15
ZILMET IntaKlean2 Magnetic Filter.....	16
ZILMET MAG PRO Magnetic Systems Hub.....	17
ZILMET MAG PRO PLUS Magnetic Systems Hub.....	18
ZILMET Heat Exchangers	
Plate and Frame.....	19-20
Brazen Plate.....	21-22
Commercial Products.....	23
Commercial Accessories.....	24
ZILMET Commercial Products	
ZILMET Hydronic Expansion Tank with Replaceable Bladder (ZELA).....	25
ZILMET Hydronic Expansion Tank with Fixed Diaphragm (ZETA).....	26
ZILMET Thermal Expansion Tank with Replaceable Bladder (ZTXA).....	27
ZILMET Thermal Expansion Tank with Replaceable Bladder Full Flow (ZTXA-FF).....	28
ZILMET Thermal Expansion Tank with Fixed Diaphragm (ZTTA).....	29
ZILMET Hydro-Pneumatic Tank with Replaceable Bladder (ZHXA).....	30-31
ZILMET Hydro-Pneumatic Tank with Fixed Bladder (ZHXT).....	32
ZILMET Air and Dirt Separators (ZADS).....	33-34
ZILMET Chilled Water Buffer Tanks (ZCBT) & Hot Water Buffer Tanks (ZHBT).....	35
ZILMET Tangential Air Separators (ZPA).....	36
ZILMET Hydraulic Separators (ZPSA & ZPSAV).....	37
ZILMET Shock and Surge (ZSSA).....	38
ZILMET Glycol Make Up (ZGMP).....	39
ZILMET Warranty & Pallet Count List.....	40

# ZILMET Hydro-Plus (ZHP) Well Tanks



Certified to NSF/ANSI 61



Stainless steel side connection allows for quicker, less expensive installation →



## IN LINE MODELS

Model Number	Volume (Gal)	Tank Weight (Lbs)	Connection Size (NPT)	Shipping Dimensions (LxWxH)	System Drawdown 30-50 (PSIG)	System Drawdown 40-60 (PSIG)	UPC Code (801985)	List Price (US \$)
ZEP5	2.1	6.0	3/4"	9" x 9" x 13"	0.7	0.6	5041337	\$ 302.40
ZEP12	4.8	9.0	3/4"	11" x 11" x 16"	1.6	1.4	5041344	\$ 384.40
ZEP18	6.3	12.0	3/4"	12" x 12" x 18"	2.2	1.9	5041351	\$ 564.48
ZHP104IL	9.2	14.0	1"	16" x 16" x 18"	3.1	2.7	5010241	\$ 845.56
ZHP200IL	13.2	20.0	1"	16" x 16" x 23"	4.5	3.9	5010258	\$ 1,091.84

## STAND MODELS

Model Number	Volume (Gal)	Tank Weight (Lbs)	Connection Size (NPT)	Shipping Dimensions (LxWxH)	System Drawdown 30-50 (PSIG)	System Drawdown 40-60 (PSIG)	UPC Code (801985)	List Price (US \$)
ZHP200F	13.2	20.0	1"	16" x 16" x 23"	4.5	3.9	5010562	\$1,168.40
ZHP202	21.1	31.0	1"	18" x 18" x 26"	7.2	6.2	5010272	\$1,417.28
ZHP203	27.7	43.0	1 1/4"	20" x 20" x 28"	9.5	8.2	5010289	\$1,935.20
ZHP204	39.6	54.0	1 1/4"	20" x 20" x 37"	13.5	11.7	5010296	\$2,718.24
ZHP250	52.8	73.0	1 1/4"	24" x 24" x 34"	18.0	15.6	5010838	\$3,280.96
ZHP251	66.0	98.0	1 1/4"	25" x 25" x 40"	22.5	19.5	5010302	\$3,552.32
ZHP302	79.3	106.0	1 1/4"	25" x 25" x 47"	27.0	23.4	5010845	\$4,460.80
ZHP350	105.7	128.0	1 1/4"	25" x 25" x 61"	36.0	31.2	5010319	\$6,020.00
ZHP351	119.0	125.0	1 1/4"	30" x 30" x 46"	40.6	35.1	5046998	\$7,425.80
ZHP400	132.1	166.0	1 1/4"	30" x 30" x 55"	45.0	39.0	5010852	\$8,647.20
ZHP451	158.5	182.0	1 1/4"	30" x 30" x 64"	54.0	46.8	5010326	\$10,400.00


## SPECIALTY TANKS

Model Number	Volume (Gal)	Tank Weight (Lbs)	Connection Size (NPT)	Shipping Dimensions (LxWxH)	System Drawdown 30-50 (PSIG)	System Drawdown 40-60 (PSIG)	UPC Code (801985)	List Price (US \$)
ZHP200BH**	13.0	20.0	1"	22" x 15" x 18"	4.5	3.9	5010265	\$1,270.92
ZHP202BV*	21.1	31.0	1"	18" x 18" x 26"	7.2	6.2	5010555	\$1,522.92
ZHP202BH**	21.1	31.0	1"	18" x 18" x 26"	7.2	6.2	5010814	\$1,523.08
ZHP202SM***	21.1	30.0	1"	18" x 18" x 26"	7.2	6.2	5010821	\$1,523.08


\* Vertical tank with welded pump mounting bracket \*\* Horizontal tank with welded pump mounting bracket \*\*\* Horizontal tank with no pump bracket

Description	Material	Operating Conditions
shell	carbon steel	max. operating pressure 150 PSIG
connection	stainless steel	operating temperature 210° F
diaphragm	butyl	factory precharge 38 PSIG
color	almond	warranty 5 years

### TANK WITH UNION



**ZTT-1**  
1" connection  
List Price: \$98.00



**ZTT-2**  
1 1/4" connection  
List Price: \$137.20

-Please see page 12 for tank accessories

[SEE OUR WEBSITE FOR TANK SIZING CALCULATOR](#)



# ZILMET Hydro-Plus (ZHPBC) Bottom Connection Well Tanks



## TECHNICAL FEATURES

- 150 PSIG Rated
- All weather epoxy powder coated paint
- Stainless steel elbow
- Polypropylene base for all weather applications
- 5 year manufacturer's warranty

Model Number	Volume (Gal)	Tank Weight (Lbs)	Connection Size (NPT)	Shipping Dimensions (LxWxH)	System Drawdown 30-50 (PSIG)	System Drawdown 40-60 (PSIG)	UPC Code (801985)	List Price (US \$)
ZHP202BC	21.1	32.0	1"	18" x 18" x 28"	7.2	6.2	5052586	\$1,702.40
ZHP202BV-BC	21.1	27.0	1"	18" x 18" x 28"	7.2	6.2	5054894	\$1,808.20
ZHP203BC	27.7	44.0	1 1/4"	18" x 18" x 30"	9.4	8.2	5054900	\$2,220.32
ZHP34BC	34.1	43.8	1 1/4"	20" x 20" x 35"	11.6	10.0	5055785	\$3,136.72
ZHP204BC	39.6	56.0	1 1/4"	20" x 20" x 40"	13.5	11.7	5052593	\$3,313.60
ZHP250BC	54.7	71.0	1 1/4"	20" x 20" x 51"	18.7	16.1	5055594	\$2,201.62
ZHP302BC	79.3	117.4	1 1/4"	26" x 26" x 48"	27.0	23.4	5055952	\$5,161.76
ZHP351BC	119.0	180.0	1 1/4"	26" x 26" x 67"	40.6	35.1	5055969	\$8,018.24

## DIMENSIONAL DATA

Model Number	Diameter	Height	Base Diameter	Connection Height	Connection Size
ZHP202BC	17.7"	26.9"	16.8"	1.6"	1"
ZHP202BV-BC	17.7"	27.9"	16.8"	1.6"	1"
ZHP203BC	19.7"	29.2"	16.8"	1.6"	1 1/4"
ZHP34BC	19.7"	33.9"	16.8"	1.6"	1 1/4"
ZHP204BC	19.7"	38.3"	16.8"	1.6"	1 1/4"
ZHP250BC	19.7"	49.7"	16.8"	1.6"	1 1/4"
ZHP302BC	24.8"	46.9"	21.6"	2.1"	1 1/4"
ZHP351BC	24.8"	65.9"	21.6"	2.1"	1 1/4"

Description	Material
shell	carbon steel
connection	stainless steel
fixed membrane	butyl
material of base	polypropylene
tank color	blue
base color	grey

Operating Conditions	
max. operating pressure	150 PSIG
operating temperature	210° F
factory precharge	38 PSIG
warranty	5 years

- Please see page 12 for tank accessories

[SEE OUR WEBSITE FOR TANK SIZING CALCULATOR](#)

# ZILMET Easy Pro (ZEP) Thermal Expansion Tanks



## ZEP1

Stainless steel thermal expansion tanks for on demand and POU water heaters with up to 2 gallon of total water volume.

### SPECIALTY TANKS: ZEP1 IS UPC CERTIFIED

Model Number	Tank Weight (Lbs)	Connection Size (NPT)	Shipping Dimensions (LxWxH)	Sized for up to (Gal)	UPC Code (801985)	List Price (US \$)
ZEP1	0.5	1/2"	3" x 3" x 3"	2	5054139	\$256.00

### IN LINE MODELS: ALL IN LINE TANKS ARE UPC CERTIFIED

Model Number	Volume (Gal)	Tank Weight (lbs)	Connection Size (NPT)	Shipping Dimensions (LxWxH)	Acceptance Volume (Gal)	UPC Code (801985)	List Price (US \$)
ZEP5	2.1	5.0	3/4"	9" x 9" x 13"	1.4	5041337	\$302.40
ZEP12	4.8	9.0	3/4"	11" x 11" x 16"	3.3	5041344	\$384.40
ZEP18	6.3	11.0	3/4"	12" x 12" x 18"	4.3	5041351	\$564.48
ZHP104IL	9.2	20.0	1"	16" x 16" x 18"	6.3	5010241	\$845.56
ZHP200IL	13.2	20.0	1"	16" x 16" x 23"	9.0	5010258	\$545.92

### STAND MODELS

Model Number	Volume (Gal)	Tank Weight (Lbs)	Connection Size (NPT)	Shipping Dimensions (LxWxH)	Acceptance Volume (Gal)	UPC Code (801985)	List Price (US \$)
ZHP200F	13.2	20.0	1"	16" x 16" x 23"	9.0	5010562	\$1,091.84
ZHP200BH**	13.2	20.0	1"	25" x 15.5" x 18"	9.0	5010265	\$1,523.08
ZHP202	21.1	31.0	1"	18" x 18" x 26"	14.4	5100272	\$1,417.28
ZHP202BH**	21.1	31.0	1"	28" x 19" x 19"	14.4	5010814	\$2,718.24
ZHP203	27.7	40.0	1 1/4"	20" x 20" x 28"	18.9	5010289	\$1,935.20
ZHP204	39.6	54.0	1 1/4"	20" x 20" x 37"	27.0	5010296	\$2,718.24
ZHP250	52.8	73.0	1 1/4"	24" x 24" x 34"	36.0	5010838	\$3,280.96
ZHP251	66.0	98.0	1 1/4"	25" x 25" x 40"	44.9	5010302	\$3,552.32
ZHP302	79.3	106.0	1 1/4"	25" x 25" x 47"	54.0	5010845	\$4,460.80

\*\*Horizontal model with pump

Description	Material
shell	carbon steel
connection	stainless steel
diaphragm	butyl
color	almond

Operating Conditions	
max. operating pressure	150 PSIG
operating temperature	210° F
factory precharge	40 PSIG
warranty	5 years

ZEP1	Material & Conditions
shell	stainless steel
connection	stainless steel
max. pressure	150 PSIG
operating temperature	210° F
factory precharge	50 PSIG
warranty	5 years

- Please see page 12 for tank accessories

[SEE OUR WEBSITE FOR TANK SIZING CALCULATOR](#)

# ZILMET Inox Pro & Ultra Inox Pro (ZS) Stainless Steel Expansion Tanks



Certified to  
NSF/ANSI 61



PLUMBING-HEATING-COOLING  
CONTRACTORS ASSOCIATION

**SEE PAGE 23 FOR  
STAINLESS STEEL  
ASME RATED TANKS**



**ZILMET INOX PRO  
& ULTRA INOX PRO (ZS)**  
All tanks manufactured  
with 304 Stainless Steel

Models ZS8, ZS12 and  
ZS18 are NSF61 Certified

## IN LINE MODELS

## INOX PRO – FIXED DIAPHRAGM MODELS

Model Number	Volume (Gal)	Tank Weight (Lbs)	Connection Size (NPT)	Shipping Dimensions (LxWxH)	Acceptance Volume (Gal)	UPC Code (801985)	List Price (US \$)
ZS160	0.04	0.5	1/4"	4" x 4" x 3"	N/A	N/A	\$182.76
ZS05	0.13	0.9	1/2"	4" x 4" x 5"	0.1	5043355	\$229.30
ZS1	0.26	1.2	1/2"	5" x 5" x 7"	0.2	5043362	\$294.80
ZS2	0.53	2.0	1/2"	6" x 6" x 8"	0.3	5039945	\$327.50

## IN LINE MODELS

Model Number	Volume (Gal)	Tank Weight (Lbs)	Connection Size (NPT)	Shipping Dimensions (LxWxH)	Acceptance Volume (Gal)	UPC Code (801985)	List Price (US \$)
ZS8	2.1	5.0	3/4"	9" x 9" x 12"	1.5	5038375	\$502.00
ZS12	3.2	8.0	3/4"	11" x 11" x 11"	3.2	5038498	\$567.30
ZS18	4.8	8.0	3/4"	11" x 11" x 15"	3.3	5043898	\$960.68

## ULTRA INOX PRO – REPLACEABLE BLADDER MODELS

Model Number	Volume (Gal)	Tank Weight (Lbs)	Connection Size (NPT)	Shipping Dimensions (LxWxH)	Acceptance Volume (Gal)	UPC Code (801985)	List Price (US \$)
ZS24V	6.3	10.0	1"	12" x 13" x 20"	4.9	5044796	\$1,439.70
ZS24H**	6.3	12.0	1"	20" x 11" x 12"	4.9	5039983	\$1,552.14
ZS60V*	15.9	30.0	1"	27" x 16" x 17"	12.3	5043348	\$3,030.36
ZS60H**	15.9	29.0	1"	27" x 16" x 17"	12.3	5044772	\$3,067.56
ZS100V*	26.4	39.0	1"	32" x 19" x 20"	20.4	5039631	\$4,645.54
ZS100H**	26.4	39.0	1"	32" x 19" x 20"	20.4	5044789	\$4,670.04

\*Vertical \*\*Horizontal \* Includes welded pump bracket

INOX PRO Operating Conditions	
max. operating pressure (ZS160)	220 PSIG
max. operating pressure (ZS05-ZS18)	150 PSIG
operating temperature	14° F - 210° F
factory precharge up to .53 gal. (ZS150-ZS2)	50 PSIG
factory precharge 2.1-4.8 gal. (ZS8-ZS18)	36 PSIG
diaphragm	butyl
warranty	5 years

ULTRA INOX PRO Operating Conditions	
max. operating pressure	150 PSIG
operating temperature	14° F - 210° F
factory precharge	22 PSIG
replaceable bladder	butyl
warranty	5 years

**SEE OUR WEBSITE FOR TANK SIZING CALCULATOR** - Please see page 12 for tank accessories

# ZILMET ActivFlo



The ActivFlo is a No-Salt Hard Water Conditioner. Hard water is a common condition that is a result of calcium and magnesium in the water supply. Effects of hard water include limescale buildup, reduced water flow, reduced heating efficiency, and waste of detergents. The ActivFlo imposes a catalytic action as water flows through that causes calcium to form into an insoluble aragonite crystal. These crystals do not have the same bonding properties as calcium which means they won't stick to pipework, heating elements, faucets, etc.

**NOTES:**

- Maximum Operating Temperature: 210° F
- Maximum Operating Pressure: 232 PSIG (150 PSIG for ZAF012MF)
- Material: Stainless Steel
- NSF STD61 Certified (Residential Models)
- Massachusetts PHCC Listed

## RESIDENTIAL

Model Number	Description	Flowrate (GPM)	Connection Size	Body Length (In)	Weight (Lbs)	Carton Dimensions (LxWxH)	UPC Code	List Price (US \$)
ZAFNANO	Nano Low Flow 3/8"	Up to 2.9	3/8" MNPT	3.6"	0.4	3.5" x 1" x 1"	5055143777215	\$535.71
ZAF012MF	SOLO Point-of-Use 1/2"	0.7 - 3.6	1/2" M/F NPT	3.8"	0.6	4" x 1.25" x 1.25"	5055143770926	\$910.98
ZAF034	Residential 3/4"	1.9 - 5.9	3/4" MNPT	6.0"	1.0	9" x 9" x 2"	5055143768985	\$2,869.70
ZAF010	Residential 1"	1.9 - 5.9	1" MNPT	7.3"	2.2	9" x 9" x 2"	5055143768978	\$2,929.70
ZAF010H	Residential High Flow 1"	5.9 - 15.9	1" MNPT	8.3"	2.0	9" x 9" x 2"	5055143768961	\$3,475.00

## COMMERCIAL

Model Number	Description	Flowrate (GPM)	Connection Size	Body Length (In)	Weight (Lbs)	Carton Dimensions (LxWxH)	UPC Code	List Price (US \$)
ZAF0114	Commercial NPT 1-1/4"	15.9 - 31.0	1-1/4" MNPT	21.6"	6.4	CALL	5055143770612	\$8,251.38
ZAF0112	Commercial NPT 1-1/2"	31.0 - 45.0	1-1/2" MNPT	21.6"	7.5	CALL	5055143770605	\$10,237.89
ZAF002	Commercial NPT 2"	45.0 - 70.0	2" MNPT	21.6"	8.6	CALL	5055143770629	\$13,358.41
ZAF0025	Commercial NPT 2-1/2"	70.0 - 92.0	2-1/2" MNPT	28.0"	16.5	CALL	5055143770636	\$32,544.38

## COMMERCIAL FLANGED

Model Number	Description	Flowrate (GPM)	Connection Size	Body Length (In)	Weight (Lbs)	Carton Dimensions (LxWxH)	UPC Code	List Price (US \$)
ZAF003	Commercial Flanged 3"	92.0 - 181.0	3" Flanged	33.5"	44.0	CALL	5055143770643	\$46,104.56
ZAF004	Commercial Flanged 4"	181.0 - 333.0	4" Flanged	33.5"	55.0	CALL	5055173770650	\$75,123.25
ZAF005	Commercial Flanged 5"	333.0 - 482.0	5" Flanged	33.5"	77.0	CALL	5055143770667	\$105,091.25
ZAF006	Commercial Flanged 6"	482.0 - 925.0	6" Flanged	33.5"	86.9	CALL	5055143770674	\$142,381.66

SEE OUR WEBSITE FOR TANK SIZING CALCULATOR

# ZILMET ActivFlo Lite



The ActivFlo Lite is a Point of Use (POU) water conditioner is used to protect all appliances and water heaters from scaling issues

**NOTES:**

- Maximum Operating Temperature: 210
- Maximum Operating Pressure: 232 PSI
- Material: Stainless Steel
- Massachusetts PHCC Listed
- 5 Year Warranty



Model Number	Description	Optimal Flowrate (GPM)	Connection Size	Body Length (In)	Weight (Lbs)	Carton Dimensions (LxWxH)	UPC Code	List Price (US \$)
ZAFL2234	Lite Point-of-Use 3/4"	4.2 – 12.4	3/4" FNPT	8.1"	1.6	9" x 2" x 2"	5055143774795	\$715.00

For use with traditional water heaters and tankless water heaters.



Free ActivFlo Lite counter display box with every purchase of 10 or more!



SCAN FOR MORE INFORMATION ON THE ACTIVFLO WATER CONDITIONER



# ZILMET Maximizer



ASSE 1017  
Certified

Certified to  
NSF/ANSI 61 & 372

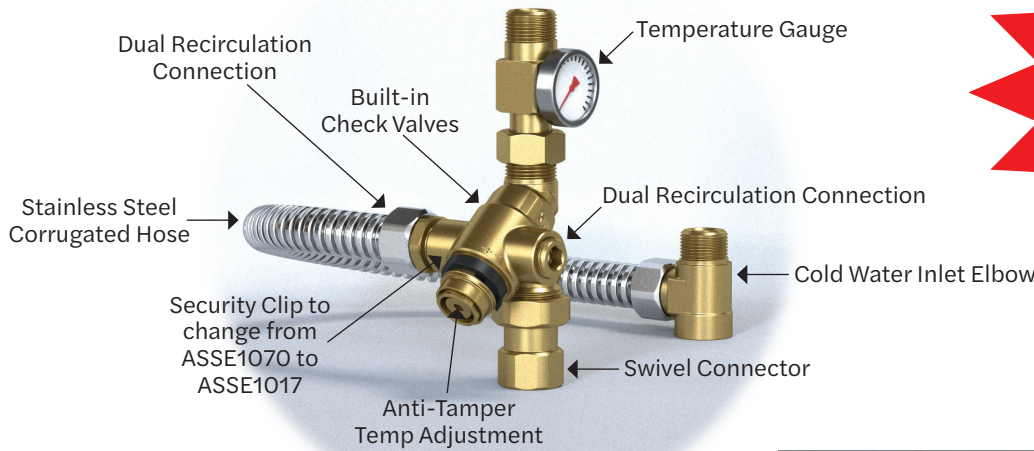
The Maximizer is installed on a water heater and will allow the water heater to safely operate at a higher set point. Two advantages are: (1) more useable hot water from your water heater, (2) higher temperatures kill water-borne bacteria.

**NOTES:**

Temperature Adjustment Range: 95-140 °F  
 Factory Preset Temperature: 120°F  
 Maximum Inlet Temperature: 195°F

Maximum Inlet Pressure: 150 PSIG  
 Maximum Inlet Pressure (dynamic): 75 PSIG  
 Minimum Flow Rate Requirement: 1.2 gpm  
 Meets ASSE1070 ASME A112.1070 / CSA B125.70  
 Meets ASSE1017 CSA B125.70  
 NSF/ANSI 372 Certified  
 NSF/ANSI STD61 Certified  
 Massachusetts PHCC listed  
*To estimate hot water gained, see our Zilmet Tank Calculator on our website.*

Model Number	Description	Flowrate (GPM)	Connection Size	Body Length (In)	Weight (Lbs)	Shipping Dimensions (LxWxH)	List Price (US \$)
ZMIX ZTM7550G	Zilmet Thermostatic Mixing Valve 3/4" NPT Connection	1.2-11.0 GPM	3/4" NPT	7.75"	4.2	10" x 8" x 4"	\$425.95



# ZILMET Cal Pro (ZHT) Hydronic Expansion Tanks



Side connection allows for quicker, less expensive installation



Side connection on stand models only.

## IN LINE MODELS

Model Number	Volume (Gal)	Tank Weight (Lbs)	Connection Size (NPT)	Shipping Dimensions (LxWxH)	Acceptance Volume (Gal)	UPC Code (801985)	List Price (US \$)
ZHT8-15	2.1	5.0	1/2"	9" x 9" x 13"	1.4	5046172	\$126.00
ZHT18-30	4.8	9.0	1/2"	12" x 12" x 16"	3.3	5039860	\$157.50
ZHT24-60	6.3	12.0	1/2"	13" x 13" x 17"	3.9	5038283	\$288.54
ZHT35	9.2	18.0	3/4"	16" x 16" x 17"	5.7	5039877	\$353.06
ZHT50-90	13.2	22.0	3/4"	16" x 16" x 22"	8.1	5038290	\$429.50

## STAND MODELS

Model Number	Volume (Gal)	Tank Weight (Lbs)	Connection Size (NPT)	Shipping Dimensions (LxWxH)	Acceptance Volume (Gal)	UPC Code (801985)	List Price (US \$)
ZHT35F	9.2	18.0	3/4"	16" x 16" x 17"	5.7	5042297	\$ 387.66
ZHT50F	13.2	22.0	3/4"	16" x 16" x 22"	8.1	5042303	\$482.58
ZHT80	21.1	30.0	3/4"	18" x 18" x 25"	15.3	5038603	\$611.36
ZHT105	27.7	44.0	3/4"	20" x 20" x 27"	20.1	5039839	\$949.88
ZHT150	39.6	47.0	3/4"	20" x 20" x 37"	28.8	5039846	\$1,206.50
ZHT200	52.8	55.0	3/4"	24" x 24" x 33"	38.4	5039884	\$1,497.46
ZHT250	66.0	86.0	3/4"	25" x 25" x 40"	48.0	5039891	\$1,739.38
ZHT300	79.3	112.0	3/4"	26" x 26" x 46"	57.7	5039907	\$2,225.24
ZHT400	105.7	131.0	3/4"	26" x 26" x 61"	76.8	5038740	\$ 3,065.16
ZHT500	132.1	162.0	1"	30" x 30" x 55"	96.0	5039914	\$3,865.94
ZHT600	158.5	178.0	1"	30" x 30" x 62"	115.2	5038757	\$4,494.00
ZHT700	184.9	196.0	1"	30" x 30" x 70"	134.2	5039921	\$5,996.60

Description	Material
shell	carbon steel
connection	carbon steel
diaphragm	SBR synthetic rubber
color	grey

For Hydronic Use Only

Operating Conditions	
max. operating pressure (2.1 gal)	75 PSIG
max. operating pressure (4.8 - 13.2 gal)	60 PSIG
max. operating pressure (21.1 - 184.9 gal)	90 PSIG
max. operating temperature	210° F
factory precharge	12 PSIG
warranty	5 years

SEE OUR WEBSITE FOR TANK SIZING CALCULATOR

# ZILMET Specialty Hydronic Tanks

## ZILMET FLATS (ZFT) FLAT HYDRONIC EXPANSION TANKS



The Space Saving Expansion



All tanks come with a fixed mounting bracket and a union connection with a two way service check valve

Model Number	Volume (Gal)	Tank Weight (Lbs)	Connection Size (NPT)	Shipping Dimensions (LxWxH)	Acceptance Volume (Gal)	UPC Code (801985)	List Price (US \$)
ZFT8C-15*	2.1	12.0	1/2"	16" x 16" x 5"	1.1	5042501	\$243.58
ZFT18C-30*	4.8	15.0	1/2"	16" x 16" x 9"	2.4	5042594	\$279.48
ZFT8R-15**	2.1	11.0	1/2"	20" x 11" x 5"	1.1	5042587	\$269.28
ZFT18R-30**	4.8	20.0	1/2"	20" x 15" x 7"	2.7	5042600	\$440.64
ZFT24R-60**	6.3	22.0	1/2"	20" x 15" x 8"	3.9	5050322	\$560.48
ZFT-U <i>Union connection with a two way check valve</i>							\$64.00

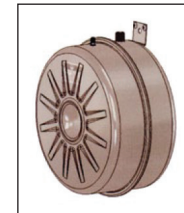
\* Circular hydronic tank with union and mounting bracket

\*\* Rectangular hydronic tank with union and mounting bracket

Operating Conditions	
factory precharge	12 PSIG
max. working pressure ZFT8C, ZFT18C, ZFT8R	43.5 PSIG
max. working pressure ZFT18R, ZFT24R	51 PSIG
max. operating temperature	194 °F
color	gray
warranty	5 years



**ZFT-U:**  
Union connection with a two way check valve.



Hanging Bracket

**Tank union works on all 1/2" in line hydronic expansion tanks**

For Hydronic Use Only

## ZILMET CAL PRO (ZHT) IN-LINE HYDRONIC RADIANT TANKS

Model Number	Volume (Gal)	Tank Weight (Lbs)	Connection Size (NPT)	Shipping Dimensions (LxWxH)	Acceptance Volume (Gal)	UPC Code (801985)	List Price (US \$)
ZHT-R15	2.1	5.0	1/2"	8" x 8" x 11"	1.4	5051725	\$221.52
ZHT-R30	4.8	10.0	1/2"	11" x 11" x 14"	3.3	5051732	\$248.40

Description	Material
shell	carbon steel
connection	stainless steel
diaphragm	butyl
color	grey

Operating Conditions	
max. operating pressure	150 PSIG
operating temperature	210° F
factory precharge	12 PSIG
warranty	5 years



### TECHNICAL FEATURES:

- Designed for low temperature radiant floor systems
- All radiant tanks have a polypropylene liner to prevent corrosion due to oxygen entering the system
- All tanks come with a stainless steel connector
- Suitable for use with glycol

For Hydronic Use Only

[SEE OUR WEBSITE FOR TANK SIZING CALCULATOR](#)



# ZILMET Ultra Pro (ZUP) Potable Tanks with Replaceable Bladder



- These tanks offer unlimited service as the bladder is easily replaceable
- A full range of replaceable bladder expansion tanks ranging from 2 gallons up to 260 gallons

## VERTICAL MODELS

Model Number	Volume (Gal)	Tank Weight (Lbs)	Connection Size (NPT)	Shipping Dimensions (LxWxH)	Acceptance Volume (Gal)	UPC Code (801985)	List Price (US \$)
ZUP8	2.1	2.6	3/4"	13.8" x 8.1" x 8.3"	1.5	5041566	\$69.06
ZUP12V	3.2	3.2	3/4"	11" x 12.6" x 11.1"	2.4	5041573	\$76.02
ZUP18V	5	3.8	3/4"	10.9" x 16.5" x 11"	3.7	5041580	\$85.14
ZUP24V	6.3	5.3	1"	19.4" x 11" x 11.3"	4.6	5041597	\$90.36
ZUP50V	13.2	9.9	1"	15.2" x 15.2" x 30.9"	9.7	5040668	\$313.14
ZUP60V*	15.9	10.2	1"	15.4" x 15.8" x 34.3"	11.7	5041610	\$327.78
ZUP80V*	21.1	11.6	1"	18.1" x 18.1" x 32.9"	15.5	5040767	\$397.56
ZUP100V*	26.4	15.8	1"	18.1" x 18.4" x 38.2"	19.4	5041641	\$510.60
ZUP200V*	52.8	36.5	1 1/2"	20.9" x 22.9" x 51.3"	38.8	5042013	\$836.94
ZUP300V*	79.3	51.0	1 1/2"	24.8" x 24.8" x 55.7"	58.3	5042006	\$1,048.34
ZUP500V*	132.1	79.7	1 1/2"	29.5" x 29.5" x 63.4"	97.2	5046462	\$1,722.72
ZUP750V*	198.1	142.7	1 1/2"	29.5" x 29.5" x 83.7"	134.0	5046448	\$3,110.64
ZUP1000*	264.2	208.7"	1 1/2"	33.5" x 33.5" x 84.6"	154.2	5040491	\$6,263.88

## HORIZONTAL MODELS

Model Number	Volume (Gal)	Tank Weight (Lbs)	Connection Size (NPT)	Shipping Dimensions (LxWxH)	Acceptance Volume (Gal)	UPC Code (801985)	List Price (US \$)
ZUP24H*	6.3	5.3	1"	10.6" x 11.4" x 19.1"	4.6	5038337	\$111.00
ZUP50H*	13.2	9.9	1"	15" x 16.1" x 22.1"	9.7	5038306	\$313.14
ZUP60H*	15.9	10.2	1"	15" x 16.1" x 25.2"	11.7	5038214	\$327.78
ZUP80H*	21.1	11.6	1"	17.7" x 18.9" x 25.2"	15.5	5038221	\$397.56
ZUP100H*	26.4	15.8	1"	17.7" x 18.9" x 28.7"	19.4	5038238	\$510.60
ZUP200H*	52.8	36.5	1 1/2"	21.7" x 22.8" x 38.8"	38.8	5038245	\$836.94
ZUP300H*	79.3	51.0	1 1/2"	24.8" x 26" x 44.9"	58.3	5041542	\$1,060.14

\*Welded pump bracket

Description	Material	Operating Conditions	
shell	carbon steel	factory precharge	28 PSIG
connections	carbon steel	max. working pressure	150 PSIG
fixed membrane	butyl	max. operating temperature	210° F
color	blue	warranty	5 years

SEE OUR WEBSITE FOR TANK SIZING CALCULATOR

# ZILMET Expansion Tank Accessories

## TANK T KITS



### ZTK-1

- ZILMET Tank T Kit – No Lead
  - Tank T Fitting Package with ZTT -1 for 1" connection.
- List Price: \$230.68

### ZTK-2

- ZILMET Tank T Kit – No Lead
  - Tank T Fitting Package with ZTT -2 for 1 1/4" connection.
- List Price: \$268.68

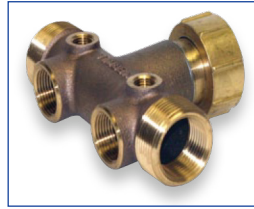
### PACKAGE CONTAINS

- No Lead Brass Tank T with Swivel Union Nut
- 40/60 Pressure Switch
- No Lead Pressure Gauge 0-100 PSIG
- 1/4" NPT X 3" No Lead Brass Nipple
- 1/2 NPT No Lead Brass Boiler Drain with Hose Bibb
- 1/2" No Lead Pressure Relief Valve

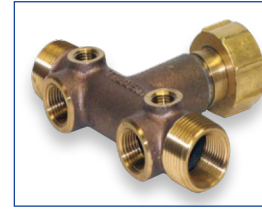
ULTRA PRO/INOX PRO-REPLACEMENT MEMBRANES	LIST PRICE (US \$)
Replacement membrane for 24L Ultra Pro Tank	\$341.80
Replacement membrane for 60-80L Ultra Pro Tank	\$385.20
Replacement membrane for 100L Ultra Pro Tank	\$424.40
Replacement membrane for 200L Ultra Pro Tank	\$786.00
Replacement membrane for 300L Ultra Pro Tank	\$980.80
Replacement membrane for 500L Ultra Pro Tank	\$1,598.24
Replacement membrane for 750-1000L Ultra Pro Tank	\$1,960.60

[SEE OUR WEBSITE FOR TANK SIZING CALCULATOR](#)

## TANK T UNION



**ZTT-1**  
1" connection size  
List Price: \$98.00



**ZTT-2**  
1 1/4" connection size  
List Price: \$137.20



## STAINLESS STEEL FLEX CONNECTORS



Our new connector allows for easier and faster installation in tank replacement applications.

Model Number	Length	Item Weight (Lbs)	Connections	List Price (US \$)
ZFLEX 1-12	12"	.40	1" NPT female	\$78.70
ZFLEX 1-18	18"	.40	1" NPT female	\$84.30
ZFLEX 2-18	18"	.60	1 1/4" NPT female	\$50.02

- Max working pressure: 125 PSIG
- Max working temp: 240 °F
- UPC Certified
- AB 1953 Compliant
- Complies with NSF61
- Meets ASME A112.18.6

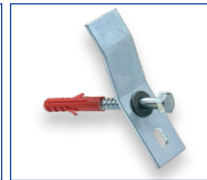
## MOUNTING BRACKETS FOR TANKS UP TO 6.3 GAL



**ZWH B** \$78.70



**ZWH HP** \$84.30



**ZWH M** \$50.02

## UNION CONNECTION



Union connection with a two way check valve for hydronic use only

**ZFT-U** \$64.00

# ZILMET Zil-Kit Boiler Trim Kit Package

This kit enables the installer to carry the essential components for a heating system in one compact carton.

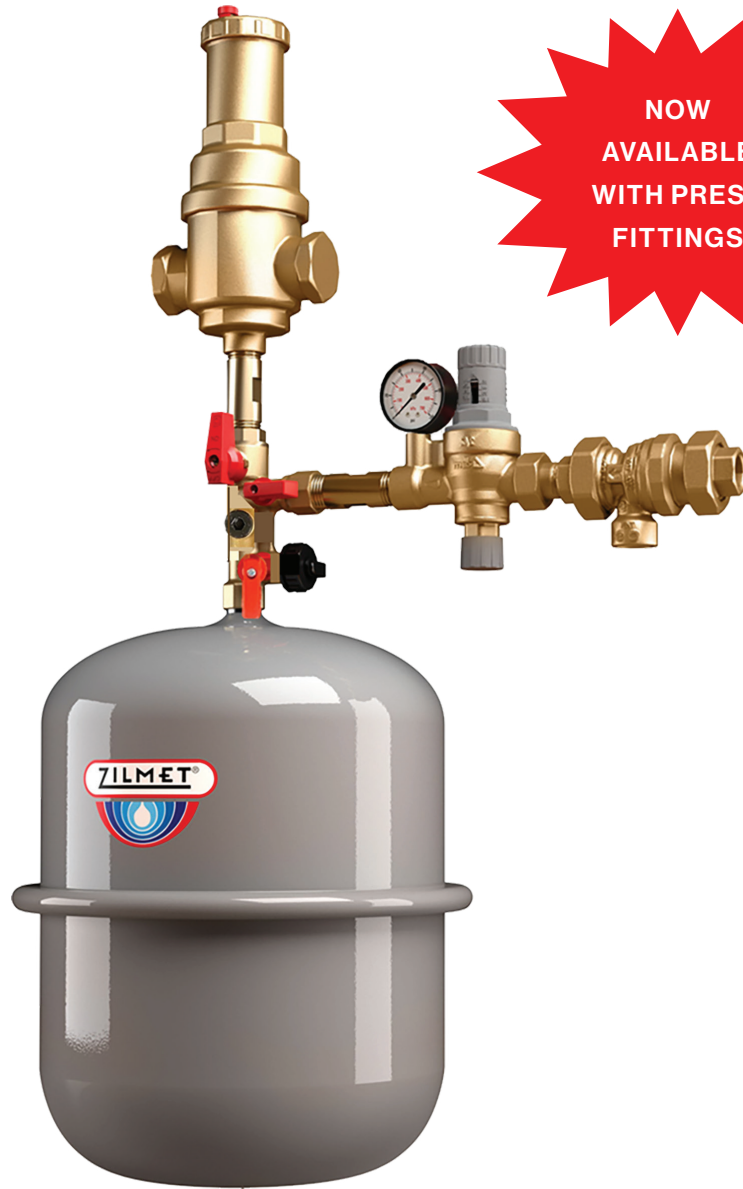
Available in NPT and SWT connections

The Assembly Includes

- 4.8 gal hydronic expansion tank
- Microbubble deaerator
- Multi isolation valve
- Backflow prevention device
- Boiler fill valve with pressure gauge
- Brass connector nipples (2)

## FEATURES AND BENEFITS

- 4.8 gal hydronic expansion tank included in package
- NPT and SWT connections
- All in one package solution
- Multi isolation valve
- Drain off outlet for easy system servicing
- Microbubble deaerator
- For use with up to 50% glycol



## PRODUCT RANGE AND DIMENSIONS

Model Number	Weight (Lbs)	Connection Size	Shipping Dimensions (LxWxH)	UPC Code (801985)	List Price (US \$)
ZBTK01N	18.0	¾" NPT	12.5" x 12.5" x 22"	5055181	\$1,320.00
ZBTK02N	18.0	1" NPT	12.5" x 12.5" x 22"	5055198	\$1,400.00
ZBTK03N	18.0	1 ¼" NPT	12.5" x 12.5" x 22"	5055204	\$1,480.00
ZBTK01S	18.0	¾" SWT	12.5" x 12.5" x 22"	5055211	\$1,400.00
ZBTK02S	18.0	1" SWT	12.5" x 12.5" x 22"	5055228	\$1,480.00
ZBTK03S	18.0	1 ¼" SWT	12.5" x 12.5" x 22"	5055235	\$1,560.00
ZBTK02P	18.2	1" Press	12.5" x 12.5" x 22"	55080893	\$1,477.00
ZBTK03P	18.2	1 ¼" Press	12.5" x 12.5" x 22"	55080909	\$1,490.00

Boiler Trim Kit and Accessories for Hydronic Use Only

[SEE OUR WEBSITE FOR TANK SIZING CALCULATOR](#)

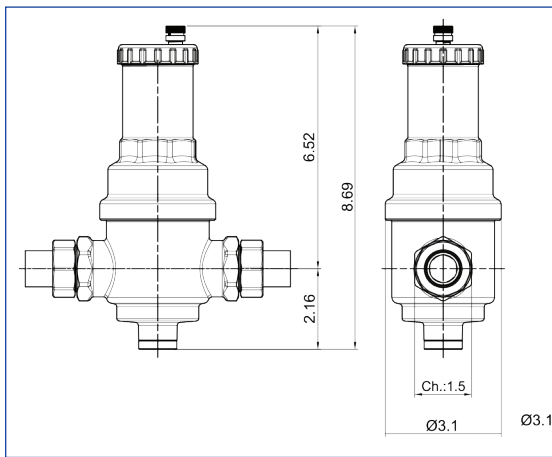
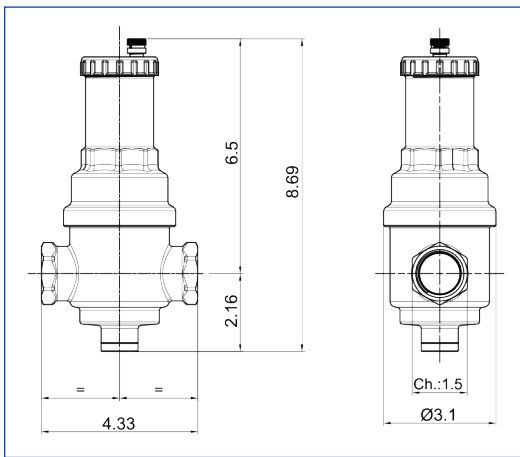
# ZILMET Boiler Accessories

## MICROBUBBLE DEAERATOR

ZILMET Microbubble Deaerator is designed to vent trapped air within sealed systems at pressures up to 150 PSIG. This helps to maintain optimum system efficiency, improves energy usage, reduces system corrosion, eliminates noise from system pipe work and helps to extend the working life of system heat pumps.



Model Number	Product Range Description	UPC Code (505514)	List Price (US \$)
ZU0001	3/4" NPT	3759273	\$480.00
ZU0002	1" NPT	3759280	\$528.00
ZU0003	1 1/4" NPT	3759297	\$760.00
ZU0004	3/4" SWT	3759303	\$512.00
ZU0005	1" SWT	3759310	\$552.00
ZU0006	1 1/4" SWT	3759327	\$870.00

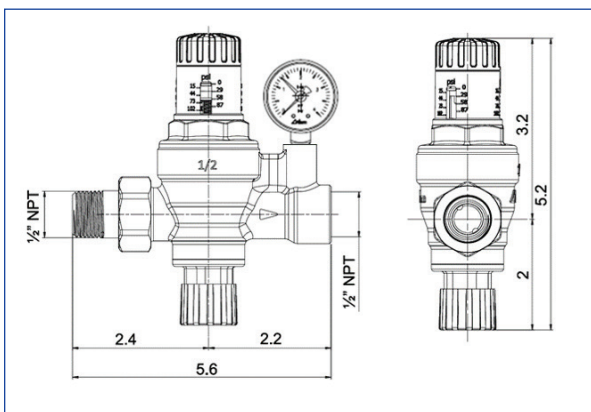
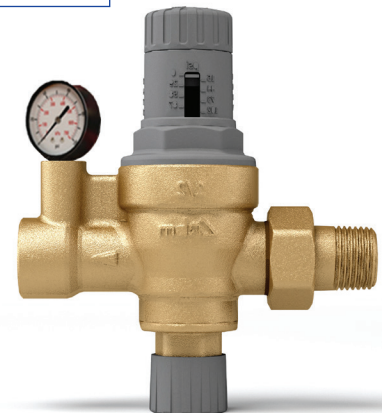


## BOILER FILL VALVE

ZILMET Boiler Fill Valve is a crucial part of a boiler trim kit. Designed as an automatic filling unit which reintegrates fluid into the closed systems in the event of lost fluid deaeration (process produces steam/gas mixture that develops continuously in closed looped heating circuits.)

## FEATURES AND BENEFITS

- Isolation valve standard
- Easy to use "dial up" adjustment head
- Internal check valve prevents the return of potentially contaminated fluid



Model Number	Product Range Description	UPC Code (505514)	List Price (US \$)
ZU0007	1/2" Boiler Fill Valve	3759334	\$306.00

Operating Conditions	Boiler Fill Valve	Microbubble Deaerator
max. operating pressure	150 PSIG	150 PSIG
max. temperature	230° F	230° F
inlet connections	1/2" NPT	3/4" NPT, 1" NPT, 1 1/4" NPT
adjustment range	7.5 to 100 PSIG	3/4" SWT, 1" SWT, 1 1/4" SWT

Boiler Trim Kit and Accessories for Hydronic Use Only

[SEE OUR WEBSITE FOR TANK SIZING CALCULATOR](#)

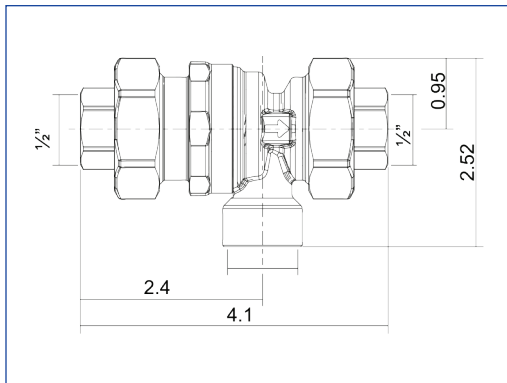
## BACKFLOW PREVENTION DEVICE

The ZILMET Backflow Prevention Device is designed to prevent potentially polluted heating system fluid back flowing into the domestic water system



## FEATURES AND BENEFITS

- Drainage point to visibly identify system operating faults
- Internal stainless steel filter
- NPT or SWT connection options available
- Robust brass construction



Model Number	Product Range Description	UPC Code (505514)	List Price (US \$)
ZU0008	1/2" Backflow Prevention Device NPT	3759341	\$252.80
ZU0009	1/2" Backflow Prevention Device SWT	3759358	\$270.40

Operating Conditions	
max. operating pressure	175 PSIG
max. temperature	32° F to 210° F
inlet connections	1/2" NPT, 1/2" SWT

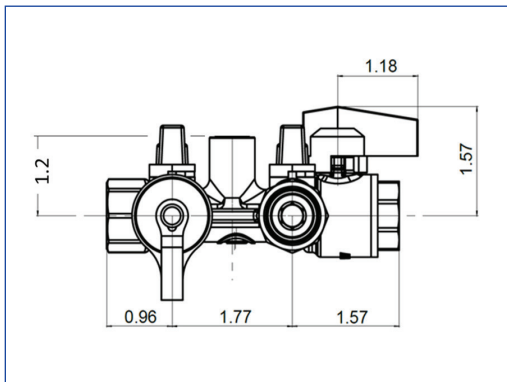
## MULTI ISOLATION VALVE

ZILMET Multi Isolation Valve is the ultimate valve for complete fluid control. The valve allows complete isolation for the inlet flow, expansion vessel and live system providing the ideal component for boiler trim kit assemblies



## FEATURES AND BENEFITS

- System pressure gauge supplied as standard
- Multiple isolation points
- Anti-tamper locking handle
- Drain port as standard



Model Number	Product Range Description	UPC Code (505514)	List Price (US \$)
ZU0020	1/2" NPT Multi Isolation Valve	3759372	\$232.00

Operating Conditions	
max. operating pressure	150 PSIG



# ZILMET IntaKlean2 Multifunction Magnetic Dirt Separator Filter



## intaKlean<sup>2</sup>

### MULTIFUNCTION MAGNETIC DIRT SEPARATOR FILTER FOR HYDRAULIC CIRCUITS

ZILMET IntaKlean is the best solution in solving plant problems due to the presence of particles caused by corrosion and scale during normal system operation. The magnetic filter effectively collects all the impurities present in the circuit and prevents them from circulating within it. All the magnetic contaminants (ferrous residues) and non-magnetic (algae, sludge, sand etc.) are then easily removed by simply opening the drain plug. The device protects the boiler continuously, avoiding wear and damage of all system components.

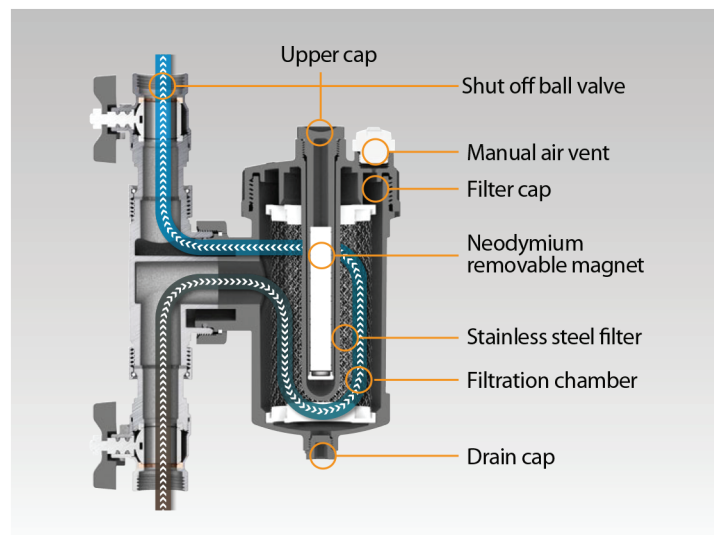
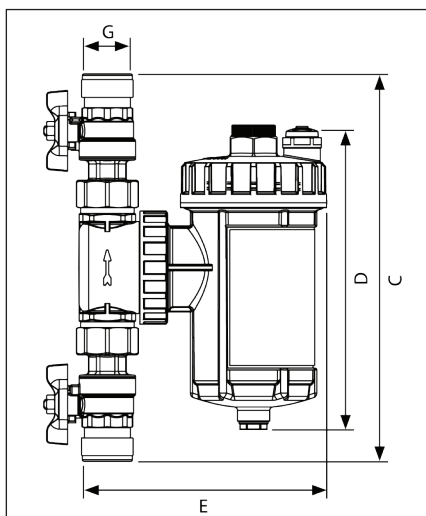


### TECHNICAL FEATURES:

- It can be mounted on vertical, horizontal and diagonal piping
- All impurities are removed helping to increase the working life of the boiler
- Maintains optimum system efficiency by fighting corrosion
- Easy to clean
- Easy 16.6 ounce dosing of the treatment fluids
- 5 year manufacturer's warranty
- 12,000 gauss magnet strength

### PRODUCT RANGE AND DIMENSIONS

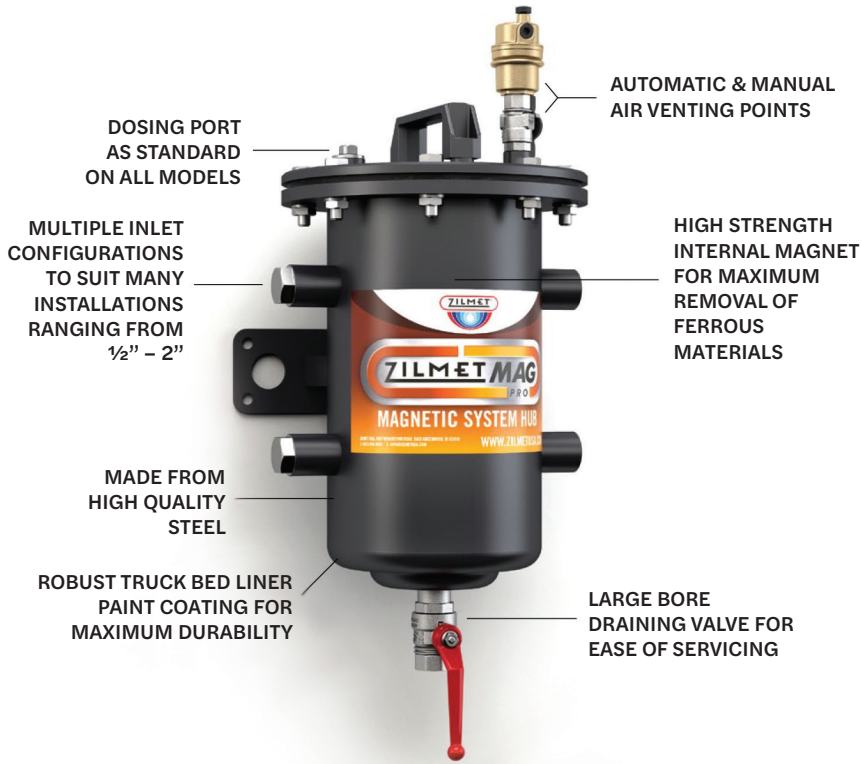
Model Number	Weight (Lbs)	Connection Size (NPT)	Shipping Dimensions (LxWxH)	C (In)	D (In)	E (In)	UPC Code	List Price (US \$)
IK203	5.0	¾"	12" x 12" x 8"	9.4"	7.5"	6.1"	5055143758801	\$640.00
IK210	5.0	1"	12" x 12" x 8"	10.5"	7.5"	6.1"	5055143758818	\$810.00
IK211	5.0	1 ¼"	12" x 12" x 8"	10.5"	7.5"	6.1"	5055143758825	\$875.60
IK210-P	6.6	1" Press	12" x 12" x 8"	13.5"	7.5"	6.1"	8019855079972	\$943.40
IK211-P	6.6	1 ¼" Press	12" x 12" x 8"	14.3"	7.5"	6.1"	3760208671477	\$1,060.83



For Hydronic Use Only

[SEE OUR WEBSITE FOR TANK SIZING CALCULATOR](#)

# ZILMET MAG PRO Magnetic Systems Hub



## TECHNICAL FEATURES

- Various inlet connection sizes ranging from 1/2" NPT to 2" NPT
- Quick and efficient servicing schedule
- Self closing filter basket for easy debris removal
- Multiple inlet configurations to suit many installations
- Manual and automatic air venting
- Mesh particle filtration down to 1 Microns
- 5 year manufacturer's warranty

## ZILMET MAG

Model Number	Weight (Lbs)	Connection Size (NPT)	Shipping Dimensions (LxWxH)	List Price (US \$)
ZM02	39.0	1/2"	19" x 13" x 12"	\$2,652.00
ZM03	39.0	3/4"	19" x 13" x 12"	\$2,796.00
ZM10	39.0	1"	19" x 13" x 12"	\$2,928.00
ZM11	39.0	1 1/4"	19" x 13" x 12"	\$3,192.00
ZM12	39.0	1 1/2"	19" x 13" x 12"	\$3,632.00
ZM20	39.0	2"	19" x 13" x 12"	\$3,968.00

Technical Specification	
max. operating pressure	145 PSIG
max. temperature	230° F
degree of filtration	1 Micron

## MICRON FILTER BAGS

Model Number	Filter Bag Size	List Price (US \$)
IMPFB01	1 Micron	\$147.93
IMPFB05	5 Micron	\$147.93
IMPFB10	10 Micron	\$136.45
IMPFB20	20 Micron	\$127.08
IMPFB30	30 Micron	\$127.08
IMPFB50	50 Micron	\$127.08

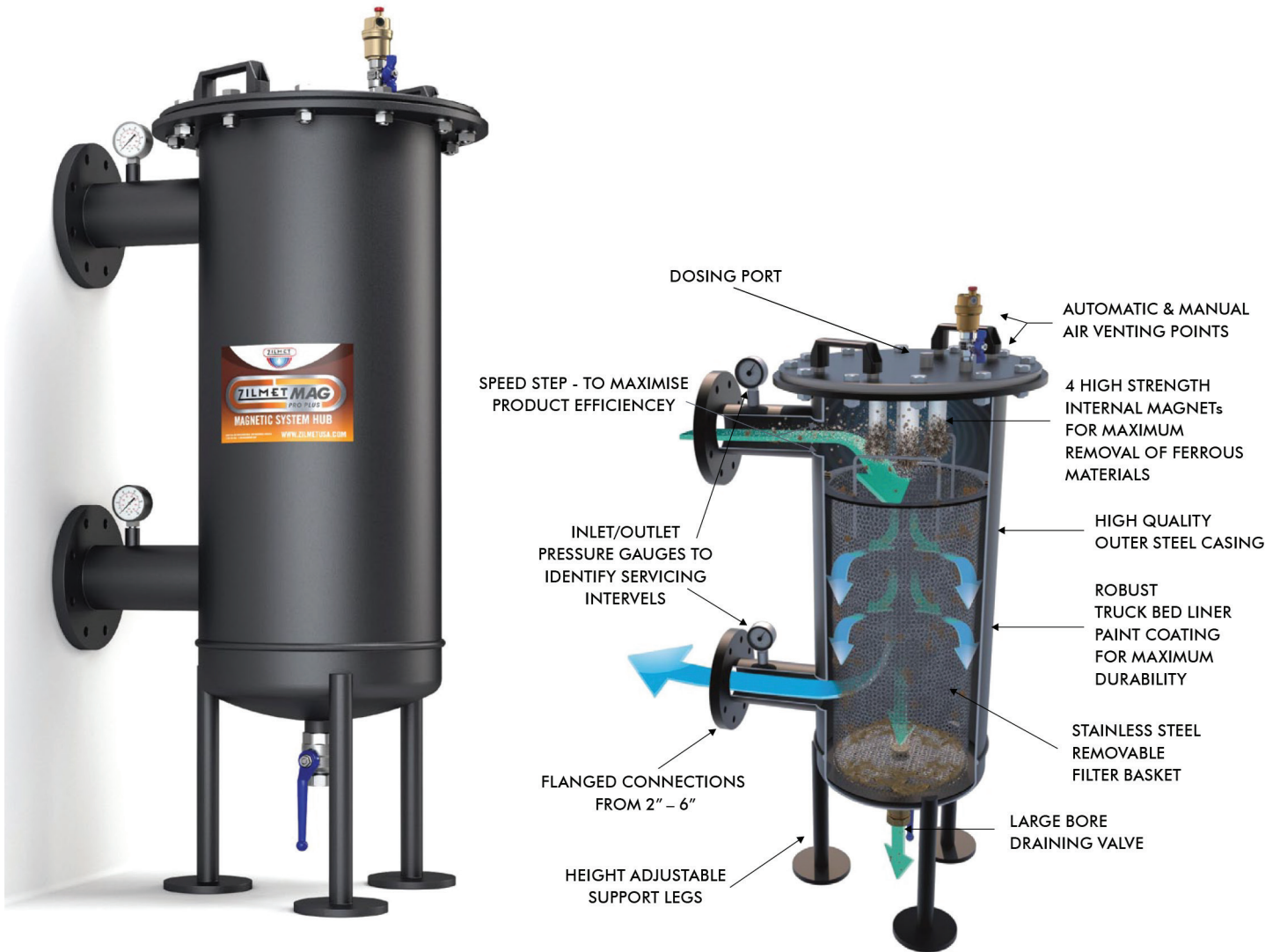


For Hydronic Use Only

[SEE OUR WEBSITE FOR TANK SIZING CALCULATOR](#)

# ZILMET MAG PRO PLUS

## Magnetic System Hub for Commercial and Industrial Systems



### ZILMET MAG PRO PLUS

Model Number	Weight (Lbs)	Connection Size (NPT)	Shipping Dimensions (LxWxH)	List Price (US \$)
ZMPP20	115.0	2"	44" x 18" x 23"	\$9,512.00
ZMPP22	115.0	2 1/2"	44" x 18" x 23"	\$10,160.00
ZMPP30	115.0	3"	44" x 18" x 23"	\$11,420.00
ZMPP40	115.0	4"	44" x 18" x 23"	\$12,840.00
ZMPP50	115.0	5"	44" x 18" x 23"	\$16,948.00
ZMPP60	115.0	6"	44" x 18" x 23"	\$19,060.00

Technical Specification	
max. operating pressure	145 PSIG
max. temperature	230° F
inlet connection	2" to 6" Flanged
manufacturers warranty	5 years

For Hydronic Use Only

[SEE OUR WEBSITE FOR TANK SIZING CALCULATOR](#)



# ZILMET Plate and Frame Heat Exchanger

## GENERAL INFORMATION

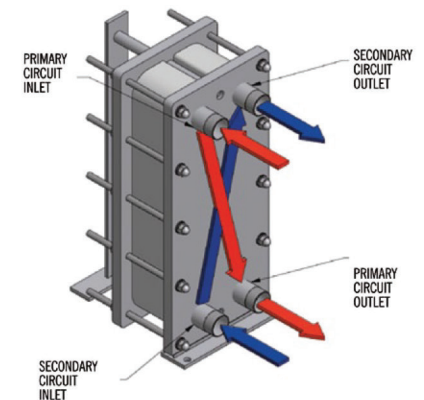
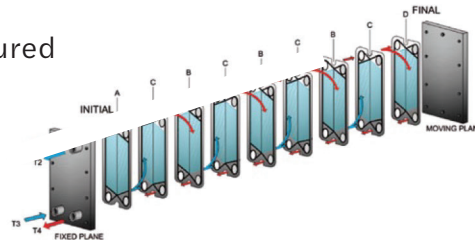
- **Applications:** The ZILMET plate heat exchanger has many applications. These include: production of sanitary hot water, decoupling of thermal circuits, district heating systems, recovery of heat coming from industrial process, cooling or heating of alimentary fluids (milk, beer, wine, etc), cooling of industrial machineries, heating of water for swimming pools and solar systems.
- **Advantages:** In every situation which requires a thermal exchange between two fluids, ZILMET plate heat exchangers are the right choice. The high efficiency, the long life, the low price, the small dimensions, the high modularity, the easy maintenance and the high reliability are some of the most important advantages of ZILMET plate heat exchangers.



## TECHNICAL FEATURES

- **PLATES** The plates are manufactured with 316 L stainless steel .0197 inches thick. This kind of material and thickness allows a smooth and quick transition to assure great corrosion resistance.
- **GASKETS** ZILMET plate heat exchangers are equipped with glued EPDM gaskets with a maximum working temperature of 284° F for particular applications, such as gasoline and oils, they can be equipped on request with nitril glued gaskets, for a maximum working temperature of 230° F.
- **FRAMES** The frames are manufactured with silver painted carbon steel. The thickness is designed for the respective working pressure.

- **TESTS** 100% of ZILMET plate heat exchangers are tested before shipment at 1.5 times the maximum working pressure.
- **TITANIUM PLATE AND FRAME HEAT EXCHANGERS AVAILABLE UPON REQUEST**
- **CUSTOM HEAT EXCHANGERS ARE AVAILABLE UPON REQUEST. PLEASE CONTACT US FOR CUSTOM PRICING.**



– Please call for sizing help and pricing [401.884.4943](tel:401.884.4943)

[SEE OUR WEBSITE FOR TANK SIZING CALCULATOR](#)

# ZILMET Plate and Frame Heat Exchanger

			Z2/10	Z2/16	Z3/10	Z3/16	Z4/16
<b>FRAME</b>	Length	in	7.09	7.09	3.38	13.38	14.57
	Height	in	18.90	18.90	30.71	30.71	40.94
	Thickness	in	0.47	0.55	0.98	1.18	1.38
<b>PLATES</b>	Exchange Surface	in <sup>2</sup>	52.70	52.70	201.50	201.50	341.00
	Thickness	in	0.02	0,02	0.02	0.02	0.02
<b>TIE RODS</b>	Length (nr of plates)	in	4.72 (7-13)	4.72 (7-13)	13.78 (7-49)	13.78 (7-51)	19.68 (21-73)
			5.90 (15-21)	5.90 (15-21)	21.65 (51-75)	21.65 (53-75)	39.37 (>75)
			9.45 (23-35)	9.45 (23-35)	25.59 (77-101)	25.59 (77-101)	
			11.81 (37-45)	11.81 (37-55)			
<b>GUIDE CARRYING BARS</b>	Length (nr of plates)	in	4.92 (7-13)	4.92 (7-13)	13.78 (7-49)	13.78 (7-51)	19.68 (21-73)
			5.71 (15-21)	5.71 (15-21)	21.65 (51-75)	21.65 (53-75)	39.37 (>75)
			9.84 (23-35)	9.84 (23-35)	25.59 (77-101)	25.59 (77-101)	
			11.81 (37-45)	11.81 (37-55)			
Standard Connections	in	1" F	1" F	2" M inox 304	2" M inox 304	3" F	
Connection Distance	in	14.57/2.56	14.57/2.56	23.78/5.71	23.78/5.71	33.46/6.61	
Distance between the plates	in	0.12	0.12	0.13	0.13	0.14	
Approximate weights	lb	35.93+0.59 x n° P	40.78+0.59 x n° P	220.46+1.76 x n° P	264.55+1.76x n° P	462.97+2.64 x n° P	
Nominal pressure	PSIG	145	232	145	232	232	
Test pressure	PSIG	217.5	348	217.5	348	348	
Max. working temperature (with standard EPDM gaskets)	°F	284	284	284	284	230	
Max. working temperature (with NBR gaskets)	°F	230	230	230	230	230	

• Plate and Frame Connection: G Threads unless otherwise specified by customer requirements. See Data Submittal Sheets on our website. (NPT available upon request)

• **Brazed Plate Connection: MNPT**

Custom size and configuration available upon request.  
Please call for sizing help and pricing **401.884.4943**

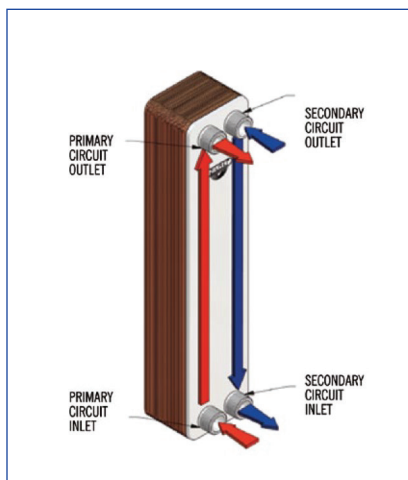
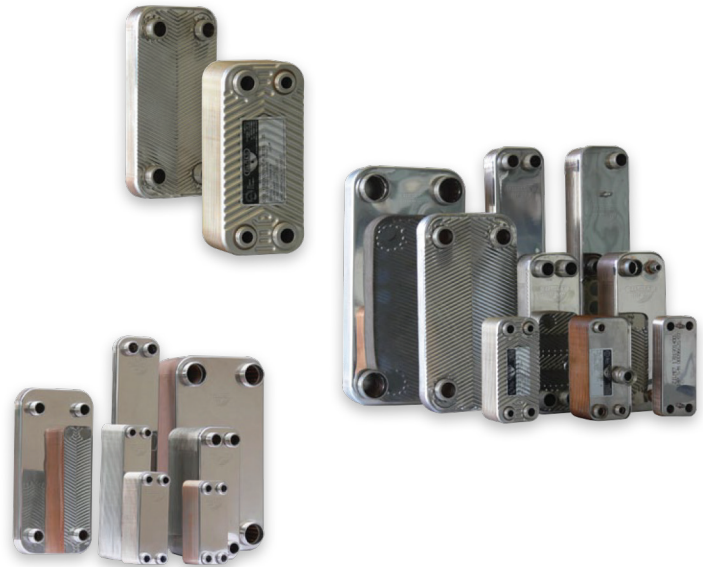
**SEE OUR WEBSITE FOR TANK SIZING CALCULATOR**

# ZILMET Brazed Plate Heat Exchanger

## HEATING SYSTEMS AND GENERAL APPLICATION

ZILMET heat exchangers, made of high quality 316 stainless steel and pure copper are particularly suitable to a wide variety of applications, including:

- Boiler components
- Hot water production with tank, hot water immediate production
- Traditional boiler heating
- Pool heating
- Thermal circuits decoupling
- District heating
- Solar system
- Full line available
- Ideal for hydronic and refrigeration use



## REFRIGERATION/AIR CONDITIONING FIELD

ZILMET has recently extended its range of brazed plate heat exchangers introducing a range of products dedicated to the refrigeration and air conditioning area. The new series has been designed and built for evaporation and condensing units; they are also compatible with various types of refrigerants, including high-pressure ones such as 'R410A'.

Please contact us for more information on these refrigeration heat exchangers.

ZILMET heat exchangers are in full compliance with all safety and functionality requirements of Directive 97/23 / EC on pressure equipment.

**CUSTOM SIZES AND CONFIGURATIONS  
AVAILABLE UPON REQUEST.**

– Please call for sizing help and pricing [401.884.4943](tel:401.884.4943)

[SEE OUR WEBSITE FOR TANK SIZING CALCULATOR](#)

# ZILMET Brazed Plate Heat Exchangers

Model Number	Weight (Lbs)	Connection Size (NPT)	List Price (US \$)
ZB190 – 20 plates	2.4	3/4"	\$352.10
ZB207 – 14 plates	1.8	3/4"	\$391.14
ZB207 – 20 plates	2.4	3/4"	\$462.10
ZB207 – 30 plates	3.5	3/4"	\$550.17
ZB207 – 36 plates	4.1	3/4"	\$582.26
ZB207 – 40 plates	4.6	3/4"	\$633.96
ZB315 – 10 plates	2.3	3/4"	\$625.86
ZB315 – 16 plates	3.2	3/4"	\$696.38
ZB315 – 20 plates	3.9	3/4"	\$758.79
ZB315 – 24 plates	4.6	3/4"	\$814.37
ZB315 – 30 plates	5.5	3/4"	\$906.71
ZB315 – 40 plates	7.2	3/4"	\$1,057.19

Description	Material
shaped plates material	stainless steel AISI 316L
brazing material	99% copper
connection material	stainless steel AISI 316L

OPERATING CONDITIONS	
max. working pressure primary circuit	72.5 PSIG
max. working pressure secondary circuit	145 PSIG
max. operating temperature	14° F/248° F

Model Number	Weight (Lbs)	Connection Size (NPT)	List Price (US \$)
ZB250 – 20 plates	8.4	1"	\$780.24
ZB250 – 30 plates	11.0	1"	\$962.73
ZB250 – 40 plates	13.7	1"	\$1,169.19
ZB250 – 50 plates	16.3	1"	\$1,390.64
ZB250 – 60 plates	19	1"	\$1,594.58
ZB250 – 70 plates	21.6	1"	\$1,719.41
ZB250 – 90 plates	26.9	1"	\$2,210.58
ZB500 – 20 plates	14.6	1"	\$1,184.45
ZB500 – 30 plates	19.6	1"	\$1,518.80
ZB500 – 40 plates	24.5	1"	\$1,848.45
ZB500 – 60 plates	34.4	1"	\$2,512.21
ZB450 – 40 plates	48.6	2"	\$2,649.56
ZB450 – 50 plates	58.4	2"	\$3,058.92
ZB450 – 70 plates	78.2	2"	\$3,616.16
ZB450 – 100 plates	121.9	2"	\$5,880.78

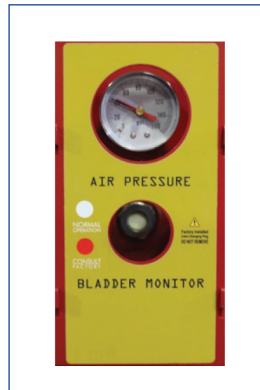
Description	Material
shaped plates material	stainless steel AISI 316L
brazing material	99% copper
connection material	stainless steel AISI 316L

Operating Conditions	
max. working pressure primary circuit	435 PSIG
max. working pressure secondary circuit	435 PSIG
max. operating temperature	-58° F/392° F

– Please call for sizing help and pricing **401.884.4943**

**SEE OUR WEBSITE FOR TANK SIZING CALCULATOR**

## STANDARD ON ALL ASME RATED EXPANSION TANKS



- 1 Pressure Gauge included and integrated
- 2 Bladder integrity monitor included
  - Allows for fast, accurate assessment of the tanks integrity. The indicator will change color from white to red in case of a compromised bladder or diaphragm
- 3 Easy Access Air Valve at work level on the side of the tank
- 4 Protective guard mount to prevent damage when shipping and installing
- 5 Higher factory pre-charge (at 40 PSIG) so it can be easily adjusted in the field as needed

### OTHER ASME ACCESSORIES AND UPGRADES INCLUDE

- Seismic Restraints
- Saddles to mount the tank horizontally
- Clips to secure a tank into place
- Available in 304 Stainless Steel
- Available in 316 Stainless Steel

– See page 24 for pricing.

ZILMET offers a full line of ASME rated expansion tanks for all applications. These tanks have recently been redesigned to include some new features and benefits that make servicing and installing much easier. The design and construction is manufactured to conform to ASME Section VIII, Div I.

– Please call for sizing help and pricing [401.884.4943](tel:401.884.4943)

[SEE OUR WEBSITE FOR TANK SIZING CALCULATOR](#)

# ZILMET Commercial Upgrades and Accessories

Item	Multiplier/Upcharge
304/316 Stainless	contact for pricing
non ASME	.85
seismic restraints	ranges based on tank diameter – see below for pricing
saddles	see chart on right for pricing
replacement bladder	call for pricing and availability

Max. Working Pressure	Price Multiplier	Price Multiplier
125	standard	n/a
150	1.25	standard
200	1.50	1.25
250	1.75	1.50
300	2.00	1.75

## SEISMIC RESTRAINTS (ONE PAIR PER TANK)

Tank Diameter (In)	Weight per Pair (Lbs)	List Price per Pair
16	36.0	\$1,634.29
20	36.0	\$1,647.62
24	36.0	\$1,689.52
30	70.0	\$1,942.86
36	70.0	\$2,531.43
42	120.0	\$4,026.67
48	120.0	\$5,203.81
54	305.0	\$6,120.00
60	305.0	\$6,910.48
72	305.0	\$7,702.86

## SADDLES

Tank Diameter (In)	Weight per Pair (Lbs)	List Price per Pair
10	10.0	\$537.14
12	12.0	\$573.33
14	15.0	\$586.67
16	21.0	\$611.43
20	29.0	\$624.76
24	35.0	\$687.62
30	49.0	\$925.71
36	57.0	\$1,030.48
42	88.0	\$1,992.38
48	115.0	\$2,360.00
54	148.0	\$2,782.86
60	171.0	\$4,127.62
66	214.0	\$4,588.57
71	257.0	\$5,049.52

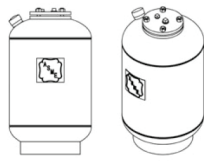
## CLIPS TO SECURE TANK AT BASE (NOT SEISMIC APPROVED)

List Price	
each	\$268.00

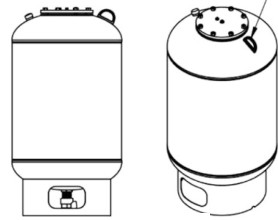
3 clips per tank up to 800L. Above 800L use 4 clips.

# ZILMET Hydronic Expansion Tank with Replaceable Bladder (ZELA) ASME Rated Expansion Tank

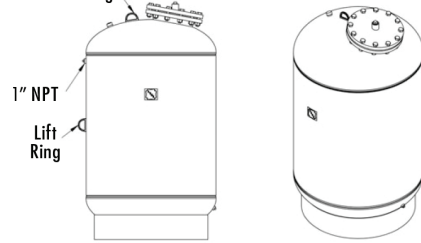
ZELA-35 & ZELA-50



ZELA-85 thru ZELA-800L



ZELA-1000 thru ZELA-15000



Model Number	Volume (Gal)	Tank Weight (Lbs)	Connection Size (NPT)	Shipping Dimensions (LxWxH)	List Price (US \$)
ZELA-35	10	40.0	3/4"	12" x 12" x 23.5"	\$2,795.84
ZELA-50	13	50.0	3/4"	14" x 14" x 24"	\$3,079.48
ZELA-85	23	90.0	1"	16" x 16" x 37"	\$3,700.78
ZELA-130	35	125.0	1"	20" x 20" x 37"	\$4,754.29
ZELA-200	53	210.0	1 1/2"	24" x 24" x 43"	\$5,503.90
ZELA-300	79	225.0	1 1/2"	24" x 24" x 55"	\$6,030.65
ZELA-400	106	300.0	1 1/2"	30" x 30" x 49"	\$6,158.96
ZELA-500	132	335.0	1 1/2"	30" x 30" x 57"	\$6,489.87
ZELA-600	158	360.0	1 1/2"	30" x 30" x 65"	\$9,582.86
ZELA-800L	211	475.0	1 1/2"	32" x 32" x 76"	\$10,589.09

Model Number	Volume (Gal)	Tank Weight (Lbs)	Connection Size (NPT)	Shipping Dimensions (LxWxH)	List Price (US \$)
ZELA-1000	264	710.0	1 1/2"	36" x 36" x 75"	\$12,979.74
ZELA-1200	317	720.0	1 1/2"	36" x 36" x 87"	\$13,574.03
ZELA-1400	370	875.0	1 1/2"	36" x 36" x 99"	\$14,776.10
ZELA-1600	422	1100.0	1 1/2"	48" x 48" x 74"	\$20,347.53
ZELA-2000	528	1280.0	1 1/2"	48" x 48" x 87"	\$22,319.48
ZELA-2500	660	1435.0	2"	48" x 48" x 95"	\$29,186.86
ZELA-3000L	792	1550.0	2"	48" x 48" x 122"	\$36,756.57
ZELA-3000S	792	2169.0	2"	60" x 60" x 80"	\$51,182.86
ZELA-4000	1056	2638.0	2"	60" x 60" x 102"	\$54,874.86
ZELA-5000	1320	3246.0	2"	60" x 60" x 125"	\$57,274.29
ZELA-7500	1980	4005.0	3"	72" x 72" x 127"	\$92,901.71
ZELA-10000	2640	4845.0	3"	72" x 72" x 159"	\$108,590.86
ZELA-15000	3963	5925.0	3"	72" x 72" x 233"	\$165,865.14

Description	Material
shell	carbon steel
connection	carbon steel
bladder	heavy duty butyl

Operating Conditions	
precharge of	40 PSIG
max. operating pressure	125 PSIG*
max. operating temperature	240° F
warranty	1 year

## AVAILABLE UPON REQUEST

- Stainless Steel ASME tanks (304 & 316 Stainless)
- For Stainless steel tanks, add to suffix -SS-(304 or 316)
- Seismic restraints

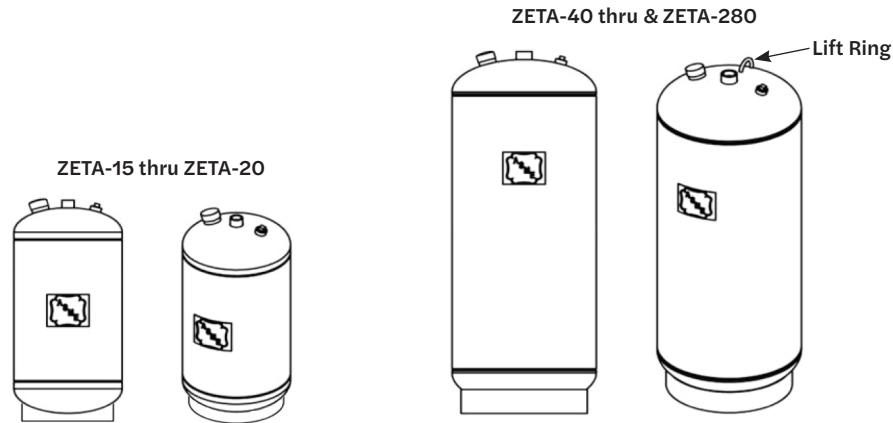
[SEE OUR WEBSITE FOR TANK SIZING CALCULATOR](#)

\* 150, 200 & 250 PSIG available

• The design and construction is manufactured to conform to ASME Section VIII, Div 1.



# ZILMET Hydronic Expansion Tank with Fixed Diaphragm (ZETA) ASME Rated Expansion Tank



Model Number	Volume (Gal)	Tank Weight (Lbs)	Connection Size (NPT)	Shipping Dimensions (LxWxH)	Acceptance Volume	List Price (US \$)
ZETA-15	7.8	42.0	3/4"	12" x 12" x 19"	6.3	\$1,229.09
ZETA-20	10.9	52.0	3/4"	12" x 12" x 25"	8.8	\$1,262.86
ZETA-40	25	84.0	1"	16" x 16" x 34"	20.2	\$1,951.69
ZETA-60	35	97.0	1"	16" x 16" x 45"	28.0	\$2,255.58
ZETA-80	45	148.0	1"	20" x 20" x 39"	36.0	\$2,903.90
ZETA-100	60	175.0	1"	20" x 20" x 50"	48.5	\$3,045.71
ZETA-120	70	259.0	1 1/2"	24" x 24" x 47"	56.5	\$3,754.81
ZETA-144	80	268.0	1 1/2"	24" x 24" x 50"	65.0	\$4,024.94
ZETA-180	90	283.0	1 1/2"	24" x 24" x 53"	73.0	\$4,639.48
ZETA-200	115	325.0	1 1/2"	24" x 24" x 67"	93.0	\$4,754.29
ZETA-240	140	362.0	1 1/2"	24" x 24" x 79"	113.5	\$5,524.16
ZETA-260	158	591.0	1 1/2"	30" x 30" x 64"	128.0	\$7,621.49
ZETA-280	211	752.0	1 1/2"	30" x 30" x 82"	171.0	\$8,785.67

Description	Material
shell	carbon steel
connection	carbon steel
bladder	heavy duty butyl

Operating Conditions	
precharge of	40 PSIG
max. operating pressure	
ZETA-15 thru ZETA-60	150 PSIG
ZETA-80 thru ZETA-280	125 PSIG
max. operating temperature	240° F
warranty	1 year

## AVAILABLE UPON REQUEST

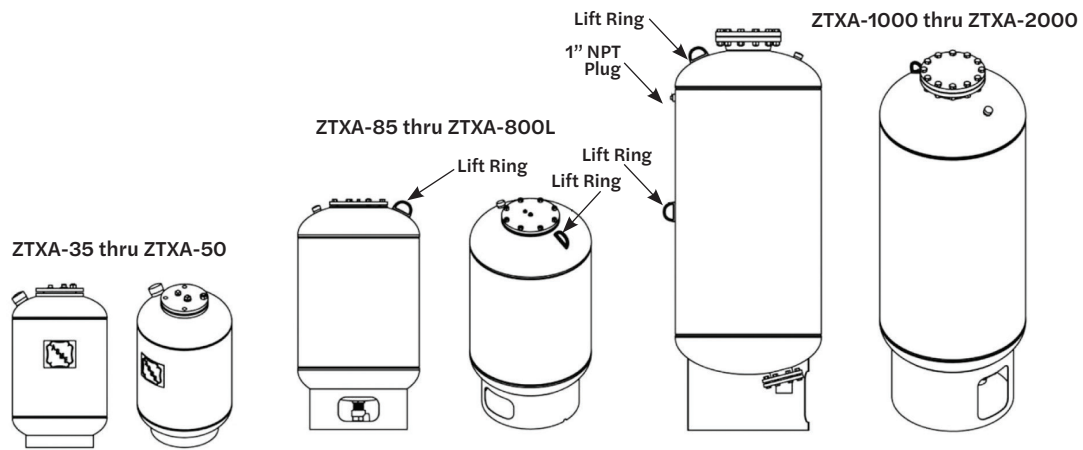
- Stainless Steel ASME tanks (304 & 316 Stainless)
- For Stainless steel tanks, add to suffix -SS-(304 or 316)
- Seismic restraints
- Ratings for 150, 200 & 250 PSIG

• The design and construction is manufactured to conform to ASME Section VIII, Div 1.

[SEE OUR WEBSITE FOR TANK SIZING CALCULATOR](#)



# ZILMET Thermal Expansion Tank with Replaceable Bladder (ZTXA) ASME Rated Expansion Tank



Model Number	Volume (Gal)	Tank Weight (Lbs)	Connection Size (NPT)	Shipping Dimensions (LxWxH)	List Price (US \$)
ZTXA-35	10	40.0	3/4"	12" x 12" x 23.5"	\$4,486.67
ZTXA-50	13	50.0	3/4"	14" x 14" x 24"	\$4,786.67

Model Number	Volume (Gal)	Tank Weight (Lbs)	Connection Size (NPT)	Shipping Dimensions (LxWxH)	List Price (US \$)
ZTXA-85	23	90.0	1"	16" x 16" x 37"	\$4,906.67
ZTXA-130	35	132.0	1"	20" x 20" x 37"	\$5,226.67
ZTXA-200	53	220.0	1 1/2"	24" x 24" x 43"	\$7,273.33
ZTXA-300	79	236.0	1 1/2"	24" x 24" x 55"	\$10,120.00
ZTXA-400	106	315.0	1 1/2"	30" x 30" x 49"	\$11,800.00
ZTXA-500	132	347.0	2"	30" x 30" x 57"	\$12,333.33
ZTXA-600	158	378.0	2"	30" x 30" x 65"	\$13,613.33
ZTXA-800L	211	503.0	2"	32" x 32" x 76"	\$14,893.33

Model Number	Volume (Gal)	Tank Weight (Lbs)	Connection Size (NPT)	Shipping Dimensions (LxWxH)	List Price (US \$)
ZTXA-1000	264	795.0	3"	36" x 36" x 86.5"	\$17,273.33
ZTXA-1200	317	820.0	3"	36" x 36" x 98.5"	\$18,333.33
ZTXA-1400	370	980.0	3"	36" x 36" x 110.5"	\$19,460.00
ZTXA-1600	422	1395.0	3"	48" x 48" x 84"	\$25,466.67
ZTXA-2000	528	1525.0	3"	48" x 48" x 96"	\$27,186.67

Description	Material
shell	carbon steel
connection	stainless steel
bladder	heavy duty butyl (FDA Approved)

Operating Conditions	
precharge of	40 PSIG
max. operating pressure	150 PSIG
max. operating temperature	240° F
warranty	1 year

### AVAILABLE UPON REQUEST

- Stainless Steel ASME tanks (304 & 316 Stainless)
- For Stainless steel tanks, add to suffix -SS-(304 or 316)
- Seismic restraints
- Ratings for 200 & 250 PSIG

• The design and construction is manufactured to conform to ASME Section VIII, Div 1.

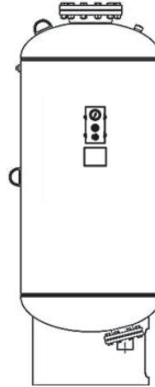
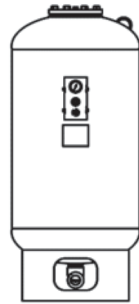
[SEE OUR WEBSITE FOR TANK SIZING CALCULATOR](#)

# ZILMET Thermal Expansion Tank with Replaceable Bladder – Full Flow (ZTXA-FF) ASME Rated Expansion Tank



ZTXA-1000-FF thru ZTXA-2000-FF

ZTXA-85-FF thru ZTXA-800L-FF



### SYSTEM CONNECTION

Model Number	Pressure Rating (PSIG)	Volume (Gal)	Acceptance Volume (Gal)	Product Dimensions (LxWxH)	Size (In)	Type	Weight (Lbs)	List Price
ZTXA-85-FF	150	23	23	16" x 16" x 37"	1"	NPT	90.0	\$7,980.00
ZTXA-130-FF	150	35	35	20" x 20" x 37"	1"	NPT	132.0	\$8,802.86
ZTXA-200-FF	150	53	53	24" x 24" x 43"	1 1/2"	NPT	220.0	\$11,290.71
ZTXA-300-FF	150	79	79	24" x 24" x 55"	1 1/2"	NPT	236.0	\$15,124.29
ZTXA-400-FF	150	106	106	30" x 30" x 49"	1 1/2"	NPT	315.0	\$17,320.71
ZTXA-500-FF	150	132	132	30" x 30" x 57"	2"	NPT	347.0	\$18,034.29
ZTXA-600-FF	150	158	158	30" x 30" x 65"	2"	NPT	378.0	\$20,145.00
ZTXA-800L-FF	150	211	211	32" x 32" x 76"	2"	NPT	503.0	\$22,684.29

ZILMET type ZTXA-FF tanks are ASME removable bladder type pre-charged tanks designed as a multi-functional bladder for controlling system pressures in Thermal Expansion, Hydronic Expansion, and Hydro-Pneumatic applications. The ZTXA-FF design incorporates a unique flow-through design that promotes fluid mixing. Mixing of the fluid inside the bladder tank disrupts stagnant water, preventing growth of potentially harmful bacteria colonies. The water is contained in a heavy-duty butyl bladder, preventing tank corrosion and water-logging.

### REMOVABLE BLADDER TANK - ASME - 150 PSIG

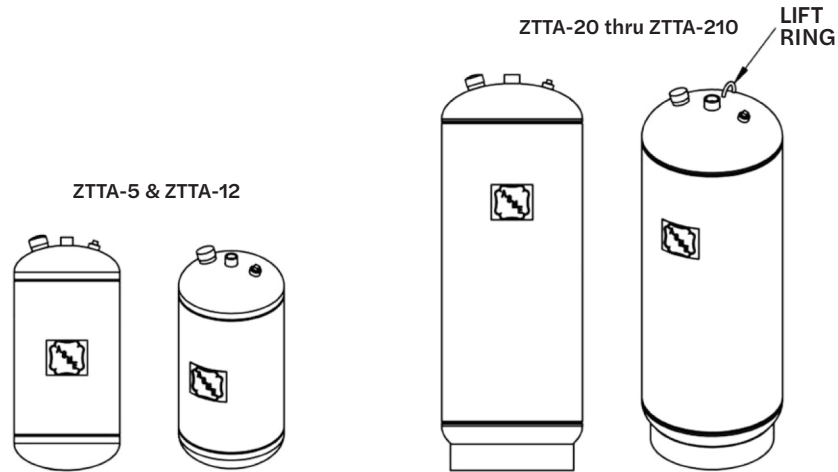
### SYSTEM CONNECTION

Model Number	Pressure Rating (PSIG)	Volume (Gal)	Acceptance Volume (Gal)	Product Dimensions (LxWxH)	Size (In)	Type	Weight (Lbs)	List Price
ZTXA-1000-FF	150	264	264	36" x 36" x 74"	3"	NPT	710.0	\$26,318.57
ZTXA-1200-FF	150	317	317	36" x 36" x 86"	3"	NPT	720.0	\$27,087.86
ZTXA-1400-FF	150	370	370	36" x 36" x 99"	3"	NPT	875.0	\$29,466.43
ZTXA-1600-FF	150	422	422	48" x 48" x 72"	3"	NPT	1,100.0	\$37,913.57
ZTXA-2000-FF	150	528	528	48" x 48" x 85"	3"	NPT	1,280.0	\$40,384.29

**Notes:** Materials = Steel Shell, Heavy Duty Butyl Bladder; Maximum Pressure = 150 PSIG; Maximum Temperature = 240° F; Finish = Primer Painted Exterior; Factory Pre-charge = 40 PSIG; Also available in 200 & 250 PSIG rated models

[SEE OUR WEBSITE FOR TANK SIZING CALCULATOR](#)

# ZILMET Thermal Expansion Tank with Fixed Diaphragm (ZTTA) ASME Rated Expansion Tank



Model Number	Volume (Gal)	Tank Weight (Lbs)	Connection Size (NPT)	Shipping Dimensions (LxWxH)	Acceptance Volume	List Price (US \$)
ZTTA-5	3.5	22.0	3/4"	10" x 10" x 14"	2.3	\$1,865.50
ZTTA-12	5	28.0	3/4"	12" x 12" x 14"	3.3	\$2,200.00
ZTTA-20	8	34.0	3/4"	12" x 12" x 20"	5.3	\$2,440.00
ZTTA-30	15	64.0	1"	16" x 16" x 23"	10.0	\$2,753.33
ZTTA-42	22	88.0	1"	16" x 16" x 31"	14.5	\$2,940.00
ZTTA-60	26	93.0	1"	16" x 16" x 34"	17.5	\$3,626.67
ZTTA-80	35	109.0	1"	16" x 16" x 45"	23.5	\$3,840.00
ZTTA-100	45	148.0	1"	20" x 20" x 39"	30.0	\$4,066.67
ZTTA-125	60	175.0	1"	20" x 20" x 50"	40.0	\$4,533.33
ZTTA-160	70	259.0	1 1/2"	24" x 24" x 47"	47.0	\$5,013.33
ZTTA-180	80	268.0	1 1/2"	24" x 24" x 50"	53.0	\$5,473.33
ZTTA-210	90	283.0	1 1/2"	24" x 24" x 53"	60.0	\$5,760.00

Description	Material
shell	carbon steel
connection	stainless steel
bladder	heavy duty butyl (FDA Approved)

Operating Conditions	
precharge of	40 PSIG
max. operating pressure	150 PSIG
max. operating temperature	240° F
warranty	1 year

## AVAILABLE UPON REQUEST

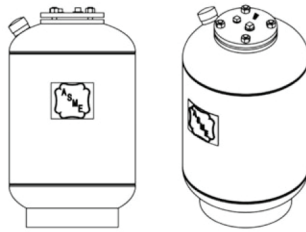
- Stainless Steel ASME tanks (304 & 316 Stainless)
- For Stainless steel tanks, add to suffix -SS-(304 or 316)
- Seismic restraints
- Ratings for 200 & 250 PSIG
- The design and construction is manufactured to conform to ASME Section VIII, Div 1.

[SEE OUR WEBSITE FOR TANK SIZING CALCULATOR](#)

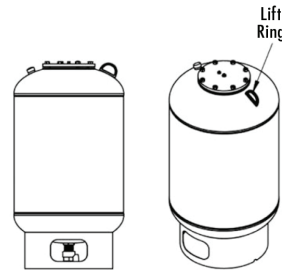
# ZILMET Hydro-Pneumatic Tank with Replaceable Bladder (ZHXA) ASME Rated Expansion Tank



ZHXA-35 & ZHXA-50



ZHXA-85 thru ZHXA-800L

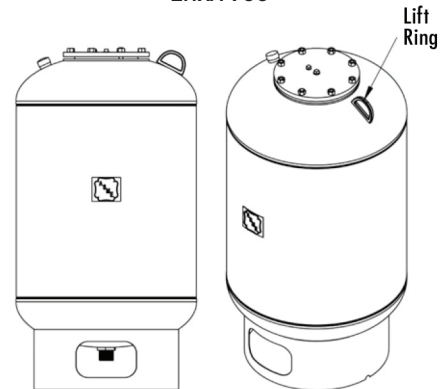


Model Number	Volume (Gal)	Tank Weight (Lbs)	Connection Size (NPT)	Shipping Dimensions (LxWxH)	List Price (US \$)
ZHXA-35	10	40.0	3/4" F	12" x 12" x 23.5"	\$2,957.92
ZHXA-50	13	50.0	3/4" F	14" x 14" x 24"	\$3,160.52
ZHXA-85	23	90.0	1" F	16" x 16" x 37"	\$4,126.23
ZHXA-130	35	125.0	1" F	20" x 20" x 37"	\$5,118.96
ZHXA-200	53	210.0	1 1/2" F	24" x 24" x 43"	\$6,267.01
ZHXA-300	79	225.0	1 1/2" F	24" x 24" x 55"	\$7,516.36
ZHXA-400	106	300.0	1 1/2" F	30" x 30" x 49"	\$8,867.01
ZHXA-500	132	330.0	2" F	30" x 30" x 57"	\$9,245.19
ZHXA-600	158	360.0	2" F	30" x 30" x 65"	\$12,398.96
ZHXA-700	185	400.0	1 1/2" M	30" x 30" x 80"	\$13,945.06
ZHXA-800L	211	475.0	2" F	32" x 32" x 76"	\$14,256.10

Description	Material
shell	carbon steel
connection	epoxy lined
bladder	heavy duty butyl (FDA Approved)

Operating Conditions	
precharge of	40 PSIG
max. operating pressure	ZHXA-35 thru ZHXA-600, ZHXA800: 125 PSIG ZHXA-700: 200 PSIG
max. operating temperature	240° F

ZHXA-700



## AVAILABLE UPON REQUEST

- Stainless Steel ASME tanks (304 & 316 Stainless)
- For Stainless Steel tanks, add to suffix -SS-(304 or 316)
- Seismic restraints
- Ratings for 200 & 250 PSIG

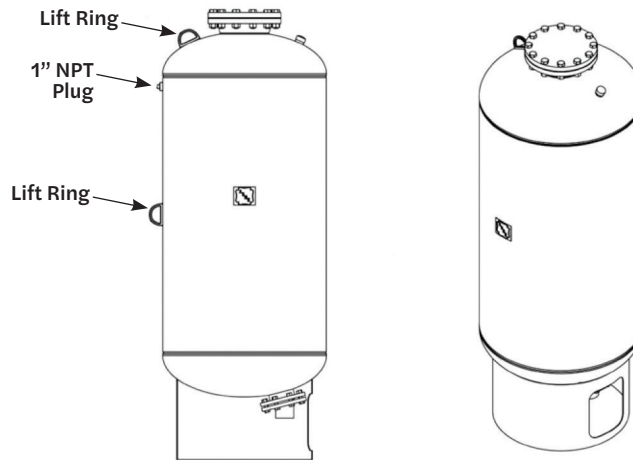
• The design and construction is manufactured to conform to ASME Section VIII, Div 1.

[SEE OUR WEBSITE FOR TANK SIZING CALCULATOR](#)

# ZILMET Hydro-Pneumatic Tank with Replaceable Bladder (ZHXA) ASME Rated Expansion Tank



ZHXA-1000 thru ZHXA-15000



Model Number	Volume (Gal)	Tank Weight (Lbs)	Connection Size (NPT)	Shipping Dimensions (LxWxH)	List Price (US \$)
ZHXA-1000	264	735.0	3" F	36" x 36" x 87"	\$17,382.86
ZHXA-1200	317	745.0	3" F	36" x 36" x 98.5"	\$18,503.90
ZHXA-1400	370	900.0	3" F	36" x 36" x 110.5"	\$19,624.94
ZHXA-1600	422	1,210.0	3" F	48" x 48" x 84"	\$24,953.25
ZHXA-2000	528	1,305.0	3" F	48" x 48" x 96"	\$27,188.57
ZHXA-2500	660	1,430.0	4" F	48" x 48" x 110"	\$33,712.21
ZHXA-3000L	792	1,575.0	4" F	48" x 48" x 138"	\$36,845.71
ZHXA-3000S	792	2,169.0	4" F	60" x 60" x 93"	\$48,015.58
ZHXA-4000	1,056	2,638.0	4" F	60" x 60" x 115"	\$56,247.79
ZHXA-5000	1,320	3,246.0	4" F	60" x 60" x 138"	\$73,644.16
ZHXA-7500	1,980	4,080.0	4" F	72" x 72" x 140"	\$204,826.44
ZHXA-10000	2,640	4,920.0	4" F	72" x 72" x 172"	\$325,402.20
ZHXA-15000	3,963	6,000.0	4" F	72" x 72" x 243"	\$399,482.72

Description	Material
shell	carbon steel
connection	epoxy lined
bladder	heavy duty butyl (FDA Approved)

Operating Conditions	
precharge of	40 PSIG
max. operating pressure	125 PSIG
max. operating temperature	240° F
warranty	1 year

## AVAILABLE UPON REQUEST

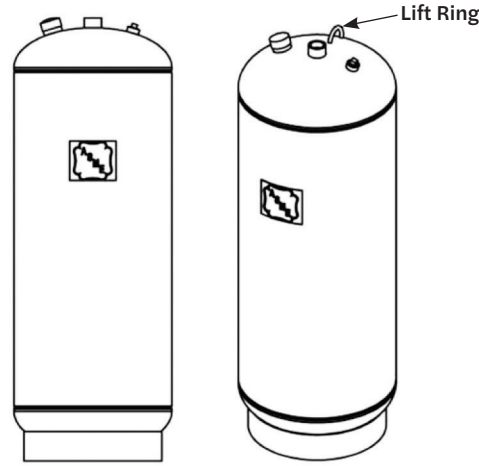
- Stainless Steel ASME tanks (304 & 316 Stainless)
- For Stainless steel tanks, add to suffix -SS-(304 or 316)
- Seismic restraints
- Ratings for 150, 200 & 250 PSIG
- The design and construction is manufactured to conform to ASME Section VIII, Div 1.

[SEE OUR WEBSITE FOR TANK SIZING CALCULATOR](#)

# ZILMET Hydro-Pneumatic Tank with Fixed Diaphragm (ZHXT) ASME Rated Expansion Tank



ZHXT-400 thru ZHXT-480



Model Number	Volume (Gal)	Tank Weight (Lbs)	Connection Size (NPT)	Shipping Dimensions (LxWxH)	Acceptance Volume	List Price (US \$)
ZHXT-400	8	34.0	3/4"	12" x 12" x 21"	6.3	\$2,994.34
ZHXT-401	15	64.0	1"	16" x 16" x 26"	11.9	\$3,180.78
ZHXT-402	25	84.0	1"	16" x 16" x 34"	19.8	\$3,741.30
ZHXT-403	35	97.0	1"	16" x 16" x 46"	27.5	\$3,802.08
ZHXT-404	70	259.0	1 1/2"	24" x 24" x 47"	52.8	\$5,692.99
ZHXT-405	90	283.0	1 1/2"	24" x 24" x 53"	55.5	\$5,936.10
ZHXT-415	115	325.0	1 1/2"	24" x 24" x 67"	71.0	\$11,846.29
ZHXT-440	140	362.0	1 1/2"	24" x 24" x 79"	91.0	\$13,679.12
ZHXT-460	160	591.0	1 1/2"	30" x 30" x 62"	127.0	\$16,398.20
ZHXT-480	210	752.0	1 1/2"	30" x 30" x 80"	166.0	\$19,645.08

Description	Material
shell	carbon steel
connection	epoxy lined
bladder	heavy duty butyl (FDA Approved)

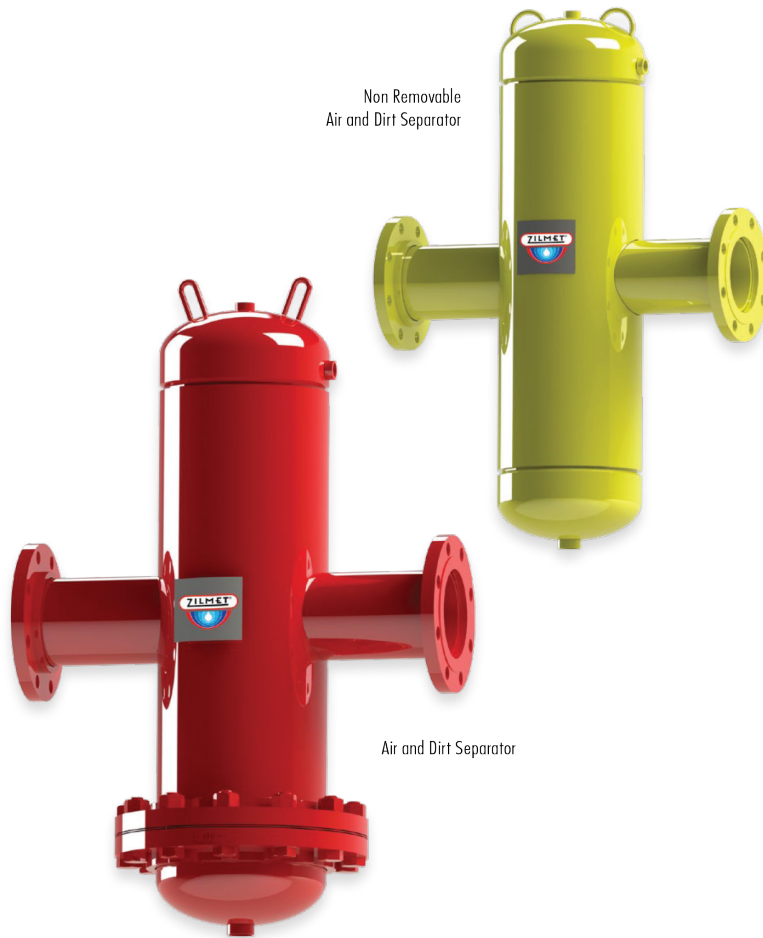
Operating Conditions	
precharge of	40 PSIG
max. operating pressure	200 PSIG
max. operating temperature	240° F
warranty	1 years

## AVAILABLE UPON REQUEST

- Stainless Steel ASME tanks (304 & 316 Stainless)
- For Stainless steel tanks, add to suffix -SS-(304 or 316)
- Seismic restraints
- Ratings for 250 PSIG
- The design and construction is manufactured to conform to ASME Section VIII, Div 1.

[SEE OUR WEBSITE FOR TANK SIZING CALCULATOR](#)

# ZILMET Air and Dirt Separators (ZADS) ASME Rated



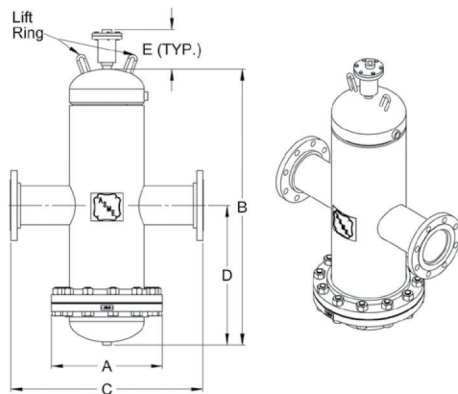
ZILMET Air and Dirt Separators (ZADS) are designed to eliminate entrained air and separate debris associated with start-up and continuous operation of any hydronic system. The design incorporates a removeable end cover for access to the coalescing media, a skim valve (optional) used to eliminate floating debris, and an air vent (optional) to automatically release air from the separator. The design and construction is manufactured to conform to ASME Section VIII , Div I.

Standard	
material	carbon steel
coalescing media	stainless steel
max. design temperature	250° F
max. design pressure	150 PSIG

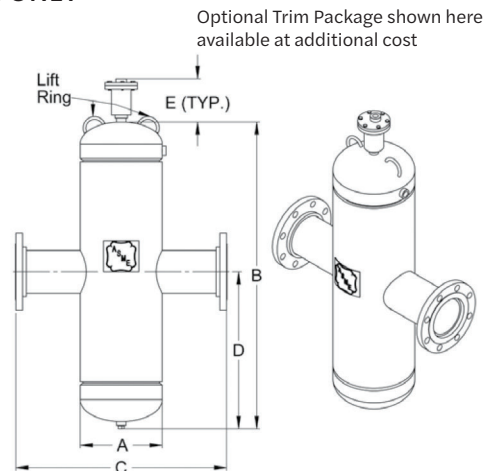
Options	
material	stainless steel
coalescing media	copper mesh
optional magnetic filtration to remove ferrous particle	

ZADS Trim Package List Price \$265.00	
blow down valve – 1"	bronze
skim valve – 1/2"	bronze
air vent – 3/4"	cast iron

## FOR HYDRONIC USE ONLY



Air and Dirt Separator (ZADS)



Non Removable Air and Dirt Separator (ZADSN)

[SEE OUR WEBSITE FOR TANK SIZING CALCULATOR](#)



# ZILMET Air and Dirt Separators (ZADS) ASME Rated

AIR AND DIRT SEPARATOR (ZADS) Standard Velocity (ZADS)								REPLACEMENT CARTRIDGE	High Velocity (ZADS-HV)				REPLACEMENT CARTRIDGE
Model Number	Flange Size (In)	A (In)	B (In)	C (In)	D (In)	Flow (GPM)	List Price (US \$)	List Price (US \$)	C (In)	D (In)	Flow (GPM)	List Price (US \$)	List Price (US \$)
ZADS-2	2	9	15.3	23	11.5	69	\$4,493.88	\$1,624.03	33	16.5	105	\$7,213.57	\$2,441.60
ZADS-2 NPT	2	9	9.0	23	11.5	69	\$3,843.16	\$1,624.03	33	16.5	105	\$6,557.29	\$2,441.60
ZADS-2.5	2.5	10	15.8	23	11.5	108	\$4,927.70	\$1,624.03	33	16.5	155	\$7,908.79	\$2,441.60
ZADS-2.5 NPT	2.5	10	10.5	23	11.5	108	\$4,276.97	\$1,624.03	33	16.5	155	\$7,263.63	\$2,441.60
ZADS-3	3	11	20.3	29	14.5	144	\$6,006.67	\$4,076.75	42	21.0	225	\$9,663.30	\$6,090.10
ZADS-3-NPT	3	11	12.8	29	14.5	144	\$5,222.47	\$4,076.75	42	21.0	225	\$8,887.65	\$6,090.10
ZADS -4	4	13.5	20.7	29	14.5	255	\$7,380.42	\$5,433.82	42	21.0	405	\$12,052.28	\$8,236.93
ZADS-5	5	16	27.8	39	19.5	398	\$11,073.41	\$8,159.07	59	29.5	630	\$16,946.61	\$12,480.53
ZADS-6	6	19	27.8	39	19.5	570	\$15,845.38	\$11,662.96	59	29.5	910	\$18,876.53	\$13,909.90
ZADS-8	8	23.5	33.7	49	24.5	945	\$23,420.47	\$17,246.94	75	37.5	1,610	\$38,036.71	\$28,014.46
ZADS-10	10	27.5	37.5	65	32.5	1,440	\$36,351.50	\$34,099.00	92	46	2,450	\$53,125.70	\$49,577.31
ZADS-12	12	32	42.5	76	38	2,100	\$46,312.57	\$34,099.00	110	55	3,500	\$67,335.93	\$49,577.31

Non-ASME also available. For Hydronic Use Only.

## NON-REMOVABLE AIR AND DIRT SEPARATOR (ZADSN) Standard Velocity (ZADSN) High Velocity (ZADSN-HV)

Model Number	Flange Size (In)	A (In)	B (In)	C (In)	D (In)	Flow (GPM)	List Price (US \$)	List Price (US \$)	C (In)	D (In)	Flow (GPM)	List Price (US \$)
ZADSN-2	2	4.5	15.3	23	11.5	69	\$3,787.54		33	16.5	105	\$6,523.92
ZADSN-2-NPT	2	4.5	9.0	23	11.5	69	\$3,136.82		33	16.5	105	\$5,873.19
ZADSN-2.5	2.5	5.5	15.8	23	11.5	108	\$4,154.62		33	16.5	155	\$7,124.58
ZADSN-2.5-NPT	2.5	5.5	10.5	23	11.5	108	\$3,503.89		33	16.5	155	\$6,479.42
ZADSN-3	3	6.5	20.3	29	14.5	144	\$5,139.04		42	21	225	\$8,798.67
ZADSN-3-NPT	3	6.5	12.8	29	14.5	144	\$4,360.40		42	21	225	\$8,020.02
ZADSN-4	4	8.5	20.7	29	14.5	255	\$6,507.23		42	21	405	\$11,190.21
ZADSN-5	5	10	27.8	39	19.5	398	\$9,988.88		59	29.5	630	\$15,867.63
ZADSN-6	6	12	27.8	39	19.5	570	\$14,543.94		59	29.5	910	\$17,575.08
ZADSN-8	8	16	33.7	49	24.5	945	\$21,679.64		75	37.5	1610	\$36,301.45
ZADSN-10	10	20	37.5	65	32.5	1440	\$34,399.33		92	46	2450	\$51,173.53
ZADSN-12	12	24	42.5	76	38	2100	\$43,709.68		110	55	3500	\$64,733.04

Non-ASME also available. For Hydronic Use Only.

[SEE OUR WEBSITE FOR TANK SIZING CALCULATOR](#)



# ZILMET Hot and Cold Water Buffer Tanks (ZCBT & ZHBT) ASME Rated

ZILMET ASME Chilled Water Buffer Tanks (ZCBT) are designed for use in chilled water systems with insufficient water volume capacity, in relation to the chiller capacity. The ZCBT Series Buffer Tanks effectively increase system volume and reduce the rate of change ( $\Delta T$ ) in the return water, resulting in improved temperature control, consistent system operation and controlled compressor cycling. The design and construction is manufactured to conform to ASME Section VIII, Div 1.



## STANDARD FEATURES FOR (ZCBT) & (ZHBT)

- ASME rated (125 PSIG at 450° F)
- Integral Ring Stand for Vertical Installation
- Top Air Vent Connection
- (ZCBT ) only: Internal Baffle

Features (ZCBT ) and (ZHBT)	
material	carbon steel
max. pressure	125 PSIG
max. temperature	450° F
finish	red oxide primer
auxilliary connections	¾" NPT top vent; 1" NPT bottom drain

## (ZCBT) CHILLED WATER BUFFER TANKS

Model Number	Gallons	Diameter (In)	Height (In)	Weight	3"	4"	6"	8"	10"
					List Price (US \$)	List Price (US \$)	List Price (US \$)	List Price (US \$)	List Price (US \$)
ZCBT-120	120.0	24	60	425	\$8,898.78	\$9,454.95	\$10,011.12	\$10,845.38	\$11,957.73
ZCBT-200	200.0	30	72	597	\$9,454.95	\$10,011.12	\$10,567.30	\$11,401.56	\$12,513.90
ZCBT-300	300.0	36	72	793	\$12,513.90	\$13,070.08	\$13,626.25	\$14,460.51	\$15,572.86
ZCBT-500	500.0	42	90	1391	\$17,797.55	\$18,353.73	\$18,909.90	\$19,744.16	\$20,856.51
ZCBT-850	850.0	54	96	2718	\$26,696.33	\$27,252.50	\$27,808.68	\$28,642.94	\$29,755.28
ZCBT-1040	1,040.0	60	96	3873	\$31,145.61	\$31,701.89	\$32,258.06	\$33,092.32	\$34,204.67

## ZILMET HOT WATER BUFFER TANKS (ZHBT)

ZILMET ASME Hot Water Buffer Tanks (ZHBT) are designed for use with today's high efficiency systems that incorporate small modular low mass boilers. A properly sized ZILMET Hot Water Buffer Tank adds necessary thermal mass to the system to dampen fast transactions and minimize boiler cycling that occurs during zero or low domestic load conditions. The design and construction is manufactured to conform to ASME Section VIII , Div I.



## OPTIONAL FEATURES FOR (ZCBT) & (ZHBT)

- 1/2" Elastomeric Insulation
- Weather Resistant Coating
- Available with 1" to 2 1/2" NPT Connections
- 1"- 20" flange connections also available

## (ZHBT ) HOT WATER BUFFER TANKS

Model Number	Gallons	Diameter (In)	Height (In)	Weight
ZHBT-120	120.0	30	60	248
ZHBT-210	210.0	30	75	459
ZHBT-300	300.0	30	72	781

\*Available in either 2 or 4 ports\*

Consult technical team for pricing and availability for higher working pressures and larger system connections. Prices and lead times available upon request.

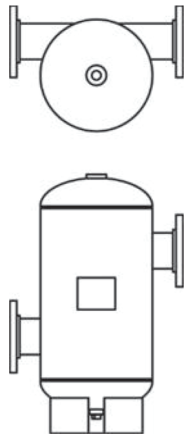
For Hydronic Use Only

[SEE OUR WEBSITE FOR TANK SIZING CALCULATOR](#)

# ZILMET Tangential Air Separators (ZPA) ASME Rated

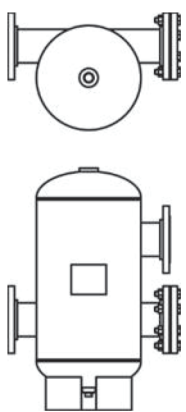
Natural centrifugal forces allow heavier, air-free water to move towards the outer edges, while entrained air is captured by the stainless steel collection tube and released to the top of the separator. This air is then able to release from the system. Water exits near the bottom of the unit bubble-free which protects the system against noise, blockage, and damage commonly caused by entrained air.

## ZPA TANGENTIAL AIR SEPARATORS



**Notes:** Materials = Steel;  
Maximum Pressure =  
125 PSIG; Maximum  
Temperature = 450oF;  
Finish = Primer Painted  
Exterior; Stainless steel  
versions available  
upon request.

LESS STRAINER			SYSTEM CONNECTION		Max GPM	Weight (Lbs)	List Price
Model Number	Pressure Rating (PSIG)	Product Dimensions (LxWxH)	Size (In)	Type			
ZPA-2	125	12" x 16 5/8" x 22 1/2"	2"	NPT	56	50.0	\$1,148.81
ZPA-2.5	125	12" x 16 5/8" x 22 1/2"	2.5"	NPT	90	55.0	\$1,351.19
ZPA-3	125	12" x 19 3/4" x 25"	3"	FLANGED	190	60.0	\$1,803.57
ZPA-4	125	14" x 21 3/4" x 32"	4"	FLANGED	300	900	\$2,523.81
ZPA-5	125	14" x 21 3/4" x 32"	5"	FLANGED	530	1480	\$3,029.76
ZPA-6	125	20" x 28" x 44"	6"	FLANGED	850	1910	\$4,273.81
ZPA-8	125	20" x 28" x 44"	8"	FLANGED	1,900	379.0	\$5,779.76
ZPA-10	125	30" x 41" x 60 1/2"	10"	FLANGED	3,200	5980	\$9,267.86
ZPA-12	125	30" x 41" x 60 1/2"	12"	FLANGED	4,806	947.0	\$14,190.48
ZPA-14	125	36" x 36 3/8" x 78"	14"	FLANGED	6,100	16800	\$23,750.00
ZPA-16	125	48" x 60" x 108"	16"	FLANGED	8,000	2,300.0	\$32,125.00
ZPA-18	125	54" x 66" x 124"	18"	FLANGED	9,700	3,235.0	\$46,577.38
ZPA-20	125	60" x 72" x 138"	20"	FLANGED	12,000	5,100.0	\$55,636.90
ZPA-22	125	66" x 78" x 150"	22"	FLANGED	15,000	6,150.0	\$67,869.05
ZPA-24	125	66" x 80" x 150"	24"	FLANGED	17,000	7,210.0	\$80,559.52



**Notes:** Materials = Steel;  
Maximum Pressure =  
125 PSIG; Maximum  
Temperature = 450° F  
Finish = Primer Painted  
Exterior; Stainless Steel  
versions available  
upon request.

WITH STRAINER			SYSTEM CONNECTION		Max GPM	Weight (Lbs)	List Price
Model Number	Pressure Rating (PSIG)	Product Dimensions (LxWxH)	Size (In)	Type			
ZPA-2S	125	12" x 16 5/8" x 22 1/2"	2"	NPT	56	55.0	\$1,505.95
ZPA-2.5S	125	12" x 16 5/8" x 22 1/2"	2.5"	NPT	90	61.0	\$1,708.33
ZPA-3S	125	12" x 19 3/4" x 25"	3"	FLANGED	190	66.0	\$2,428.57
ZPA-4S	125	14" x 21 3/4" x 32"	4"	FLANGED	300	99.0	\$3,214.29
ZPA-5S	125	14" x 21 3/4" x 32"	5"	FLANGED	530	163.0	\$4,476.19
ZPA-6S	125	20" x 28" x 44"	6"	FLANGED	850	210.0	\$5,619.05
ZPA-8S	125	20" x 28" x 44"	8"	FLANGED	1,900	417.0	\$7,648.81
ZPA-10S	125	30" x 41" x 60 1/2"	10"	FLANGED	3,200	658.0	\$12,595.24
ZPA-12S	125	30" x 41" x 60 1/2"	12"	FLANGED	4,800	1042.0	\$16,363.10
ZPA-14S	125	36" x 46 3/8" x 78"	14"	FLANGED	6,100	1848.0	\$31,214.29
ZPA-16S	125	48" x 60" x 108"	16"	FLANGED	8,000	2,530.0	\$46,166.67
ZPA-18S	125	54" x 66" x 124"	18"	FLANGED	9,700	3,559.0	\$62,732.14
ZPA-20S	125	60" x 72" x 138"	20"	FLANGED	12,000	5,610.0	\$75,494.05
ZPA-22S	125	66" x 78" x 150"	22"	FLANGED	15,000	6,765.0	\$90,565.48
ZPA-24S	125	66" x 80" x 150"	24"	FLANGED	17,000	7,931.0	\$111,101.19

[SEE OUR WEBSITE FOR TANK SIZING CALCULATOR](#)

# ZILMET Hydraulic Separators (ZPSA & ZPSAV) ASME Rated

ZILMET Primary/Secondary Header hydraulic separations are used in heating and cooling systems that require the primary and secondary loop of the system to be interlocked. The primary and secondary headers (ZPSA) are designed to keep both connected hydraulic circuits completely independent from one another and to provide a means for system air elimination. The ZILMET Primary/Secondary Header with Air/Dirt Separator (ZPSAV) builds on that functionality with the inclusion of internal coalescence coils in the tank that eliminate entrained air and separate debris associated with start-up and maintenance of the system. As a result, the ZPSA V replaces the need for an air/dirt separator. The design and construction is manufactured to conform to ASME Section VIII, Div I.



## STANDARD FEATURES

- Separates Primary and Secondary loop hydraulically
- Removes air from system
- Separates and collects sediment
- Easy installation
- **Optional magnet available at extra charge**

Features	
material	stainless steel
max. pressure	150 PSIG
max. temperature	450° F
finish	finish primer painted exterior

Legs come standard with 6" connection models and above. Consult technical team for pricing and availability for higher working pressures and larger system connections.

## ZPSA – PRIMARY/SECONDARY HEADER – WITH INTERNAL BAFFLE @ 150 PSIG

Model Number	Connection	Diameter (In)	Height (In)	Width (In)	Flow (GPM)	Weight (Lbs)	List Price (US \$)
ZPSA-2	2"	6.6	34.3	14.8	65	90.0	\$3,820.91
ZPSA-2.5	2½"	6.6	39.3	14.8	68	115.0	\$4,499.44
ZPSA-3	3"	10.8	49.5	18.8	175	215.0	\$7,141.27
ZPSA-4	4"	10.8	70.3	22.8	180	225.0	\$8,364.85
ZPSA -5	5"	14.0	80.5	26.0	300	320.0	\$11,295.88
ZPSA-6	6"	18.0	93.8	30.0	500	330.0	\$12,119.02
ZPSA-8	8"	24.0	122.8	36.0	900	575.0	\$15,678.53
ZPSA-10	10"	30.0	149.3	42.0	1,420	935.0	\$25,583.98
ZPSA-12	12"	30.0	179.5	42.0	1,425	1,165.0	\$34,883.20
ZPSA-14	14"	42.0	199.3	54.0	1,650	2,430.0	\$68,364.85
ZPSA-16	16"	48.0	224.3	60.0	2,200	3,260.0	\$89,043.38

## ZPSAV – PRIMARY/SECONDARY HEADER – WITH AIR AND DIRT SEPARATION @ 150 PSIG

Model Number	Connection (In)	Diameter (In)	Height (In)	Width	Flow (GPM)	Weight (Lbs)	List Price (US \$)
ZPSAV-2	2"	6.6	34.3	14.8	65	120.0	\$6,028.92
ZPSAV-2.5	2½"	6.6	39.3	14.8	68	145.0	\$6,785.32
ZPSAV-3	3"	10.8	49.5	18.8	175	270.0	\$9,421.58
ZPSAV-4	4"	10.8	70.3	22.8	180	280.0	\$11,006.67
ZPSA V-5	5"	14	80.5	26.0	300	375.0	\$14,838.71
ZPSA V-6	6"	18	93.8	30.0	500	380.0	\$16,685.21
ZPSA V-8	8"	24	122.8	36.0	900	635.0	\$23,337.04
ZPSA V-10	10"	30	149.3	42.0	1,420	995.0	\$37,958.84
ZPSA V-12	12"	30	179.5	42.0	1,425	1,250.0	\$46,957.73
ZPSA V-14	14"	42	199.3	54.0	1,650	2,480.0	\$92,030.03
ZPSA V-16	16"	48	224.3	60.0	2,200	3,310.0	\$119,860.96

For Hydronic Use Only

[SEE OUR WEBSITE FOR TANK SIZING CALCULATOR](#)

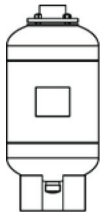
# ZILMET Shock and Surge Tanks (ZSSA) ASME Rated

Shock & Surge Tanks are specially designed hydro-pneumatic tanks used to absorb the harmful water hammer pressure wave in a piping system. When properly sized, these tanks are designed to capture the kinetic energy wave of a quick-closing valve (or other offending fixture) and limit the pressure spike that is otherwise created. Typically used in water well systems, municipal water distribution lines, pressure booster systems, and industrial water distribution systems.

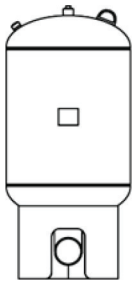
## ZSSA SHOCK & SURGE TANKS

## REMOVABLE BLADDER TANK

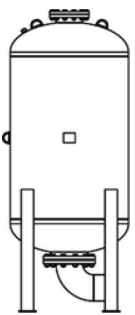
## ASME



Model Number	Pressure Rating (PSIG)	Volume (Gal)	Acceptance Volume (Gal)	Product Dimensions (LxWxH)	SYSTEM CONNECTION		Weight (Lbs)	List Price
					Size (In)	Type		
ZSSA-35	250	10	10	12" x 12" x 26"	2 1/2"	NPT	63	\$14,408.57
ZSSA-50	250	13	13	14" x 14" x 26"	2 1/2"	NPT	74	\$15,377.14



Model Number	Pressure Rating (PSIG)	Volume (Gal)	Acceptance Volume (Gal)	Product Dimensions (LxWxH)	SYSTEM CONNECTION		Weight (Lbs)	List Price
					Size (In)	Type		
ZSSA-85	250	23	23	16" x 16" x 30 1/2"	3"	GROOVED	116	\$15,874.29
ZSSA-130	250	35	35	20" x 20" x 30 1/2"	3"	GROOVED	135	\$17,040.00
ZSSA-200	250	53	53	24" x 24" x 46 1/2"	3"	GROOVED	250	\$21,458.57
ZSSA-300	250	79	79	24" x 24" x 58 1/2"	3"	GROOVED	360	\$22,047.86
ZSSA-400	250	106	106	30" x 30" x 52 1/2"	3"	GROOVED	430	\$22,637.14
ZSSA-500	250	132	132	30" x 30" x 63"	3"	GROOVED	525	\$23,130.00
ZSSA-600	250	158	158	30" x 30" x 71"	3"	GROOVED	640	\$30,972.86
ZSSA-700	250	185	185	30" x 30" x 81 1/2"	3"	GROOVED	749	\$34,133.57
ZSSA-800L	250	211	211	32" x 32" x 84"	3"	GROOVED	760	\$40,555.71



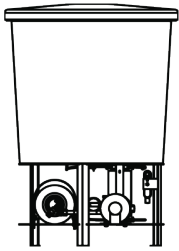
Model Number	Pressure Rating (PSIG)	Volume (Gal)	Acceptance Volume (Gal)	Product Dimensions (LxWxH)	SYSTEM CONNECTION		Weight (Lbs)	List Price
					Size (In)	Type		
ZSSA-1000	250	264	264	36" x 36" x 85"	10"	FLANGED	830	\$47,922.86
ZSSA-1200	250	317	317	36" x 36" x 107"	10"	FLANGED	1118	\$58,236.43
ZSSA-1400	250	370	370	36" x 36" x 119"	10"	FLANGED	1330	\$62,070.00
ZSSA-1600	250	422	422	48" x 48" x 92"	10"	FLANGED	1713	\$73,223.57
ZSSA-2000	250	528	528	48" x 48" x 105"	10"	FLANGED	2026	\$84,027.86
ZSSA-2500	250	660	660	48" x 48" x 122"	10"	FLANGED	2352	\$91,763.57

**Notes:** Materials = Steel Shell, Heavy Duty Butyl Bladder; Maximum Pressure = 250 PSIG; Maximum Temperature = 240°F; Finish = Primer Painted Exterior; Factory Pre-charge = 40 PSIG

[SEE OUR WEBSITE FOR TANK SIZING CALCULATOR](#)

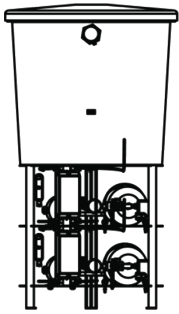
# ZILMET Glycol Make Up (ZGMP) ASME Rated

Glycol makeup packages function by automatically supplying pressurized water, or water/glycol mixture to a closedloop space heating, chilled water, snowmelt, radiant heating, or process control system. The engineering package is designed to ensure that critical minimum system pressure levels are maintained. Benefits include preventing major floods in the event of a system rupture, eliminating the need for a backflow prevention system, protecting the system from freezing by utilizing a predetermined solution, ensuring EPA compliance, and maintaining pressure within the system. Included is a solution reservoir and a pump with control for precise metering.



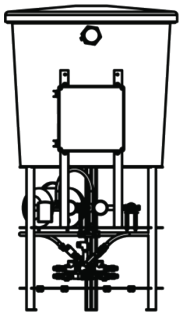
ZGMP - SINGLE SYSTEM PACKAGE				SYSTEM CONNECTION		Weight (Lbs)	List Price
Model Number	Pump (HP)	Solution Volume (Gal)	Product Dimensions (LxWxH)	Size (In)	Type		
ZGMP-13050	1/3	50	34" x 34" x 45"	1/2"	NPT	134	\$12,578.57
ZGMP-13100	1/3	100	34" x 34" x 68"	1/2"	NPT	140	\$13,056.43
ZGMP-15050	1/2	50	34" x 34" x 45"	1/2"	NPT	138	\$13,662.86
ZGMP-15100	1/2	100	34" x 34" x 68"	1/2"	NPT	140	\$14,145.00

**Notes:** Materials = Polyethylene solution tank, bronze pump, 110V, 60HZ Motor, steel base; Maximum Pressure = 70 PSIG discharge pressure; Maximum Temperature = 160° F; Finish = Gray Steel Base Exterior; Factory Discharge Pressure Setting = 12 PSIG



ZGMPD - DUAL SYSTEMS/SINGLE PACKAGE				SYSTEM CONNECTION		Weight (Lbs)	List Price
Model Number	Pump (HP)	Solution Volume (Gal)	Product Dimensions (LxWxH)	Size (In)	Type		
ZGMPD-23050	1/3"	50	34" x 34" x 56"	1/2"	NPT	214	\$20,633.57
ZGMPD-23100	1/3"	100	34" x 34" x 80"	1/2"	NPT	255	\$21,130.71
ZGMPD-23100	1/2"	50	34" x 34" x 56"	1/2"	NPT	218	\$22,607.14
ZGMPD-25100	1/2"	100	34" x 34" x 80"	1/2"	NPT	259	\$23,102.14

**Notes:** Materials = Polyethylene solution tank, bronze pump, 110V, 60HZ Motor, steel base; Maximum Pressure = 70 PSIG discharge pressure; Maximum Temperature = 160° F; Finish = Gray Steel Base Exterior; Factory Discharge Pressure Setting = 12 PSIG



ZGMPT - ALTERNATING TWIN PUMP PACKAGE				SYSTEM CONNECTION		Weight (Lbs)	List Price
Model Number	Pump (HP)	Solution Volume (Gal)	Product Dimensions (LxWxH)	Size (In)	Type		
ZGMPT-33050	1/3"	50	40" x 34" x 56"	1/2"	NPT	236	\$23,108.5
ZGMPT-33050	1/3"	100	40" x 34" x 80"	1/2"	NPT	226	\$23,667.86
ZGMPT-35050	1/2"	50	40" x 34" x 56"	1/2"	NPT	240	\$25,320.00
ZGMPT-35100	1/2"	100	40" x 34" x 80"	1/2"	NPT	230	\$25,881.43

**Notes:** Materials = Polyethylene solution tank, bronze pump, 110V, 60HZ Motor, steel base; Maximum Pressure = 70 PSIG discharge pressure; Maximum Temperature = 160° F; Finish = Gray Steel Base Exterior; Factory Discharge Pressure Setting = 12 PSIG

[SEE OUR WEBSITE FOR TANK SIZING CALCULATOR](#)

# ZILMET Warranty and Pallet Count List

Product	Model	Warranty Duration
Well Tanks	Hydro Plus (ZHP)	5 Year Limited Manufacturer's Warranty
Thermal Expansion Tanks	Easy Pro (ZEP)	5 Year Limited Manufacturer's Warranty
Hydronic Expansion Tanks	Cal Pro (ZHT)	5 Year Limited Manufacturer's Warranty
Hydronic Flat Expansion Tanks	ZILMET Flats (ZFT)	5 Year Limited Manufacturer's Warranty
Stainless Steel Tanks	Inox Pro (ZS) and Ultra Inox Pro (ZUP)	5 Year Limited Manufacturer's Warranty
Solar Expansion Tanks and Pre Solar Vessels	Solar Plus (ZSP) Pre Solar (VSG)	5 Year Limited Manufacturer's Warranty
Magnetic Filters and Boiler Trim Kits	All sizes	5 Year Limited Manufacturer's Warranty
Heat Exchangers	Brazed Plate and Frame	1 Year Limited Manufacturer's Warranty
Commercial Products	All models	1 Year Limited Manufacturer's Warranty
ActivFlo	All models	15 Year Limited Manufacturer's Warranty
Maximizer	All models	5 Year Limited Manufacturer's Warranty

## THERMAL EXPANSION TANKS

Model Number	Layer Count	Pallet Count
ZEP1	N/A	75/box
ZEP5	18	162
ZEP12	10	70
ZEP18	8	48

## BOTTOM CONNECTION WELL TANKS

Model Number	Layer Count	Pallet Count
ZHP202BC	N/A	14
ZHP202BVBC	N/A	14
ZHP203BC	4	10
ZHP34BC	4	8
ZHP204BC	4	8
ZHP302BC	4	6
ZHP351BC	4	4

## SIDE CONNECTION WELL EXPANSION TANKS

Model Number	Layer Count	Pallet Count
ZHP5	18	162
ZHP12	10	70
ZHP18	8	48
ZHP104IL	6	24
ZHP200F	6	18
ZHP200BH	5	20
ZHP200IL	6	18
ZHP202	N/A	12
ZHP202BH	3	12
ZHP202SM	3	12
ZHP202BV	N/A	12
ZHP203	4	12
ZHP204	4	8
ZHP250	4	8
ZHP302	4	6
ZHP350	N/A	4
ZHP351	N/A	3
ZHP400	N/A	2
ZHP451	N/A	2

## HYDRONIC EXPANSION TANKS

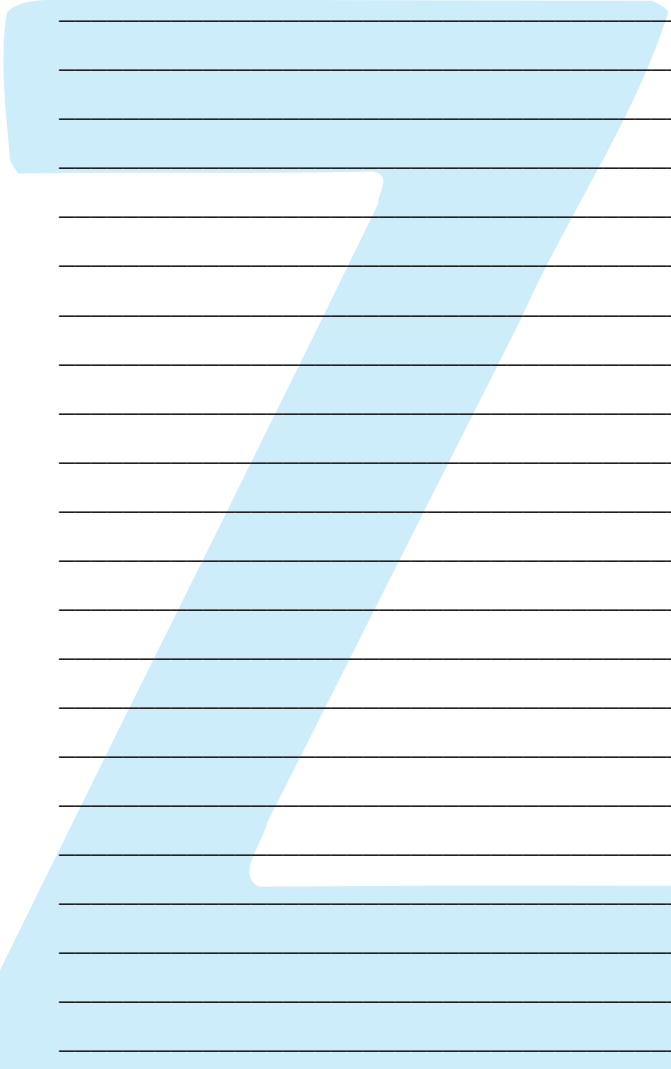
Model Number	Layer Count	Pallet Count
ZHT8	20	120
ZHT18	10	70
ZHT24	8	48
ZHT35	6	24
ZHT35F	6	24
ZHT50	6	18
ZHT50F	6	18
ZHT80	4	12
ZHT105	4	10
ZHT150	4	8
ZHT200	4	8
ZHT250	4	8
ZHT300	4	6
ZHT400	N/A	4
ZHT500	N/A	2
ZHT600	N/A	2
ZHT700	N/A	2

Please submit all orders to  
[orders@zilmetusa.com](mailto:orders@zilmetusa.com)  
 Please process all warranties at



SEE OUR WEBSITE FOR TANK SIZING CALCULATOR





A series of horizontal lines for writing notes, starting from the top right and extending down to the bottom left of the page.





Follow us on Instagram!



zilmetusa

To view our latest shipping terms  
and conditions, please view:

<https://www.zilmetusa.com/shipping-terms-and-conditions>

ZILMET USA Corp • 240 Commerce Park Road, North Kingstown, Rhode Island 02852  
P 401-884-4943 • F 401-287-4951

[INFO@ZILMETUSA.COM](mailto:INFO@ZILMETUSA.COM) | [ZILMETUSA.COM](http://ZILMETUSA.COM)

Rev. 9/23